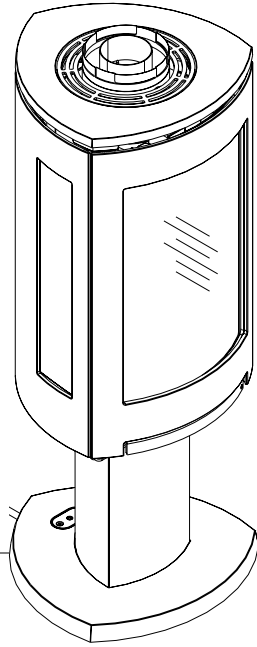


Jøtul GF 373 BF CE
Balanced Flue Gas Stove



Installation and Operation Instructions

WARNING: If the information in these instructions is not followed exactly, a fire or explosion may result causing property damage, personal injury or death.

- Do not store or use gasoline or other flammable vapors and liquids in the vicinity of this or any other appliance.
- **WHAT TO DO IF YOU SMELL GAS**
 - Do not try to light any appliance.
 - Do not touch any electrical switch; do not use any phone in your building.
 - Immediately call your gas supplier from a neighbour's phone. Follow the gas supplier's instruction.
 - If you cannot reach your gas supplier, call the fire department.
- Installation and service must be performed by a qualified installer, service agency or the gas supplier.

EU Gas Appliance Directive (GAD)

We

Company name:
Postal address:
Postcode and City
Country
Telephone number:
e-mail address

Jøtul North America, Inc.
55 Hutcherson Drive
Gorham, Maine
United States of America
+0 1 207 591 6601

Declare that the GAC is issued under our sole responsibility and belongs to the following product:

Apparatus model/Product:
Type:
Article Number:

Jøtul GF 373 BF CE
Balanced Flue Gas Heater
30051209, 30051210, 30051464, 30051465

Batch:
Serial Number:

42933-42934
Series 55001116 - 55001157

Object of the declaration (identification of apparatus allowing traceability; it may include a colour image of sufficient clarity where necessary for identification of apparatus):



The object of the declaration described above is in conformity with the relevant Union harmonisation legislation:

Gas Appliance Directive (GAD) 2009/142/EC (ex-90/396/EEC)

The following harmonised standards and technical specifications have been applied:

Title, Date of Standard/Specification

BS EN 613: 2001 + A1: 2003 + C1: 2008

Notified body (where applicable)

Kiwa Ltd T/A Kiwa Gastec

4 digit notified body number

0558

Reference number of certificate of the notified body:

CE/0558/012/067/M2

Additional information:

N/A

Signed for and on behalf of: Jøtul North America, Inc.

Gorham, Maine U.S.A.

18/07/2017

Roger Purinton

Product Development Manager

Place of issue

Date of issue

Name, function

Table of Contents

1. Technical Information	4
2. General Information	5
3. Safety Precautions.....	5
4. Installer Information	6
5. User Information	10
6. Illustrations	12
7. Remote Control	18
8. Appendix.....	22
9. Warranty	26
10. Service Record.....	27

**THIS OWNER'S MANUAL PROVIDES
INFORMATION TO ENSURE SAFE
INSTALLATION AND EFFICIENT,
DEPENDABLE OPERATION OF YOUR STOVE.**

**PLEASE READ THESE INSTRUCTIONS
IN THEIR ENTIRETY AND MAKE THEM
AVAILABLE TO ANYONE USING OR
SERVICING THIS GAS STOVE.**

1. Technical Information

Technical Data - Jøtul GF 373 BF CE PIN 0558CM1362						
Countries of Destination	AT, BG, CH, CZ DK, EE, ES, FI, GB, GR, HR, IE, IT, LT, LV, NO, PT, RO, SE, SI, TR	DE, LU, PL, RO	BE, FR	NL	BE, CH, CZ, ES, FR, GB, GR, HR, IE, IT, LT, NL, PL, PT, SI, SK	
Gas Type	NATURAL GAS			LPG		
	G20	G20±G25	G20±G25.3	G31		
Gas Category	I _{2H}	I _{2E}	I _{2E+}	I _{2EK}	I _{3P}	
Supply Pressure (mbar)	20	20±25	20±25	37		
Nominal Heat Input (Net, kW)	6.9	6.9±6.3	6.9±6.3	7.0		
Burner Pressure at Full Rate - Hot (mbar) ±1 (0mbar)	9.4	9.4±11.8	9.4±11.8	25.2		
Maximum Gas Consumption (m ³ /h) 15°C, 1'013 .25 mbar	0.730	0.730±0.775	0.730±0.775	0.286		
Main Burner Injector Marking (x1)	40			1.50		
Efficiency	Horizontal termination (% , nett)		82.2	82.2±81.8	82.2±81.8	78.4
	Vertical termination (% , nett)		72.3	72.3±66.6	72.3±66.6	72.7
Maximum Heat Output	Horizontal termination (kW)		5.7	5.7±5.2	5.7±5.2	5.5
	Vertical termination (kW)		5.0	5.0±4.2	5.0±4.2	5.1
Efficiency Class	2					
NOx Class	4					
Flue Type	C11 or C31					
Concentric Flue Diameter (inner/outer)	100 / 150mm					



THIS APPLIANCE IS FACTORY-EQUIPPED TO USE EITHER NG (G20/G25) OR LPG (G31).

IT IS NOT FUEL CONVERTIBLE.

SEE THE ATTACHED DATA PLATE AND SHIPPING LABELS FOR FUEL IDENTIFICATION AND SPECIFICATIONS.

DO NOT SUBSTITUTE ANY TYPE OF GAS OTHER THAN THAT SPECIFIED FOR THE MODEL DESIGNATED ON THE DATA PLATE.

This appliance is configured for gas categories E (I_{2E}) and K (I_{2K}) and is suitable for the use of G and G+ distribution gases according to the specification included in NTA 8837:2012 Annex D, with a Wobbe index of 43.46 – 45.3 MJ/m³ (dry, 0 °C, upper value) or 41.23 – 42.98 (dry, 15 °C, upper value).

2. General Information

- This product has been approved to the European Standard EN 613:2000 and is in accordance with EC Gas Appliances Directive 2009/142/EC (ex-90/396/EEC).
- Before installation, ensure that the local distribution conditions (identification of the type of gas and pressure) and the adjustment of the appliance are compatible.
- This product, the Jøtul GF 373 BF CE may only be used with Natural Gas G20, G25 or LPG G31. This appliance is not fuel convertible.
- Assembly, installation and maintenance must be performed by a qualified person in accordance with the instructions for Assembly, Installation, and Use enclosed with the product. The installation may only be operated after it has been inspected by a qualified person and a certificate of completion has been issued.
- The Installation should be carried out in accordance with the Building Regulations which include the following standards for installation and maintenance of flues, ventilation and installation of Gas Fires.
For UK - BS 5440:1, BS 5440:2, BS 5871 Part 1
For Republic of Ireland - IS813, ICP3, IS327.
For France - Decree of 2 August 1977 and the NF DTU 61.1 P4.
- The appliance is designed as a freestanding unit and no additional fixing methods need apply.
- This appliance is intended for use on a gas installation with a governed meter.

3. Safety Precautions

- This appliance must be installed in accordance with the rules in force. Consult instructions before installation and use of this appliance.
- The appliance is designed as a heating device and all components will become hot (excluding control knob, control cover and control switch). Care should be taken not to touch unit when it is in operation.
- **WARNING! If you detect an odour of gas:**
 - Do not light the Stove or any other appliance.
 - Do not use electrical switches or the telephone.
 - Contact your gas supplier's emergency number.
- The appliance must only be installed and repaired by qualified personnel. Always turn off the gas supply before service.
- The appliance must be inspected following installation and at least once a year by qualified personnel.
- The appliance must only use gas of the correct type and pressure. See Technical Data for more details.
- It is permitted to install the appliance against a wall made of combustible material with the clearances specified in figs. 2-4.
- The minimum clearance to combustible material in front of the appliance is 600 mm.
- **WARNING:** Curtains may not be placed within 600 mm above the appliance.
- Never store combustible gas or liquid in the same room with the appliance.
- **WARNING:** Never use the appliance if the front glass panel has been removed, is cracked, or is open.
- Replacement of the glass should be done by a licensed or qualified service person. Only remove glass for routine service. Always handle glass carefully.
- Do not burn solid fuel in the appliance.
- Do not place combustible material on or near the appliance, as the appliance becomes hot.
- This appliance becomes hot in use so it is advisable to keep young children, the aged, or infirm, and animals at a safe distance using a fireguard conforming to BS6539 or BS6778 to provide extra protection.

4. Installer Information

Minimum clearances from combustible material to vent system

Horizontal vent pipe:

From the top of the vent pipe to combustible material: 50mm
From the side and the bottom of the vent pipe to combustible material: 25mm

Vertical vent pipe: From all sides of the vent pipe to combustible material: 25mm

- Clearances for position of flue vent system
- Clearance under porch, covered entrance, storey or balcony, that has at least two open sides under the floor - 300 mm
- Clearance to window or door that can be opened - 300 mm
- Clearance to permanently closed window, recommended clearance to avoid condensation on the window - 300 mm
- Vertical clearance from vent to roof soffit - 300 mm
- Clearance to exterior corner - 230 mm
- Clearance to interior corner - minimum 150 mm
- Clearance surrounding gas meter/installed regulator in horizontal direction from the centre of the regulator - 900 mm
- Clearance to gas service cabinet with main shutoff valve - 900 mm
- Clearance to air channels or air supplies to all appliances - 300 mm
- Clearance to mechanical air channel - 1.8m
- Clearance from public walkway or motor road – 2.1m

Note! Do not install the vent over a walkway or motor road, which is located between two individual family houses and is used by both households.

Position of Outdoor Exhaust Hood

- If the clearance from ground level to the terminal exhaust hood is less than 3 m, the hood must be protected by a wire mesh guard.
- The clearance over the terminal must be minimum 300mm to protruding parts of the building.
- Do not place the exhaust hood under any ventilation opening.
- Do not place the exhaust hood closer than 300 mm from the side/above any ventilation opening.
- Do not place the exhaust hood closer than 300 mm to opening window.
- * Clearance from ground level, balcony or similar to the exhaust hood must be at least 300 mm.
- Do not place the gas cylinder closer to the exhaust hood than 1 metre.

Firewall Requirements

The stove may be placed directly against a wall made of combustible material with the clearances specified in figs. 2 - 4. Be sure to maintain adequate space for the vent system behind the stove and for the full height/length of the pipe.

Requirements for the Floor Plate

The stove may stand on a wooden floor. A floor plate of non-combustible material is required if the stove is to be placed on carpet, vinyl, linoleum or other combustible material.

Position of Appliance

Minimum Clearances

- Rear: 76 mm - from Rear of the unit
- Ceiling: 425 mm - from Stove Top
- Corner: 127 mm - from Stove Top
- Sides: 178 mm - from Stove Top
- A combustible shelf may not be placed within 520 mm of the top of the appliance.

Minimum Clearances from the Vent Pipe to Combustibles

Horizontal Run:

- Off the top of the pipe - 51 mm
- Alcove - 178 mm
- Off the sides and bottom - 25 mm

Vertical Run:

- All sides - 25 mm

Alcove Specifications

- Maximum Alcove Depth: 55.2 cm
- Minimum Alcove Width: 79.3 cm
- Minimum Ceiling Height: 158.1 cm

Vent system

Note! During the installation of the vent, it is important to adhere to national and local regulations that apply. The system must only be installed with a vent system approved by Jøtul. Only one single stove may be connected to the vent system.

The vent system must terminate outdoors.

The vent system is a balanced system: 100% of the combustion air is supplied from outside the house and all exhaust gas is returned to outside the house. The vent pipe is a coaxial pipe in which the combustion air is supplied through the outer pipe and the exhaust gas returned through the inner pipe.

Flueing options

The GF 373 BF CE is capable of a variety of flueing configurations using an assortment of balanced flue components and accessories from Muelink and Grol. See fig. 17, page 17.

1. Flue arrangement for horizontal termination

When a horizontal run of 600mm or less is required there should be a vertical rise first from the stove of 500mm (max 10m) for Natural gas installations and 1m (max 10m) for LPG.

For horizontal flue runs greater than 600mm and less than 1600mm a vertical rise first from the stove of 1m (max 10m) for Natural and LPG should be used. The maximum horizontal flue length for the GF 373 BF CE is 1600mm (this can be seen as the 600mm which is attached to the terminal and the addition of a 1m length)

2. Flue arrangement for vertical termination

The flue may be installed with a vertical termination. The minimum length of a vertical flue termination should be a 1m length plus the vertical flue terminal.

The maximum vertical flue length is 10m plus the vertical flue terminal.

Exhaust Restriction

The GF 373 BF CE is equipped with an Exhaust Restrictor Plate which enables you to regulate the flow of exhaust gas. The plate prevents overly strong draft that can cause poor combustion and weak flame picture.

The Restrictor Plate is situated above the Top Baffle plate and is supplied from the factory in Position 1, (fully open).

The Exhaust Restrictor should be set in one of the following positions depending upon the flue configuration. See fig. 5.

- All installations that incorporate horizontal termination the exhaust restrictor should be left in Position 1 (fully open) as factory set. Fig. 5a.
- All vertical installations up to 2m plus the vertical terminal length should be left in Position 1 (fully open) as factory set. Fig. 5b.
- All installations above 2m plus the vertical terminal length should have the Exhaust Restrictor moved to Position 2. Fig. 5c.

Adjust Exhaust Restrictor Plate (Position 2)

1. Remove top casting and decorative trim pieces from top of unit.
2. Open Door.
3. Remove 4 screws and remove firebox glass frame.
4. Remove 2 #8 sheet metal screws from top of burn chamber. Fig. 6.
5. Inside firebox, remove 2, #8 screws to uninstall the exhaust restrictor Fig. 7.
6. Slide plate to the rear and reattach using the secondary holes.
7. Reassemble baffle and other components.

Log Set Installation

WARNING: The ceramic fuel effect (logs) should only be arranged by qualified service engineer. Under no circumstances may extra elements be added to the fuel effect, (i.e. extra logs or coals), nor the fuel bed be changed in any way.

The Log Set includes three logs and a bag of Ember Stones. Use gloves to handle log parts.

1. Engage the Bottom Log with the two center pins in the burner plate. Fig. 8.
2. Lean the Right Log up against the upper right corner of the firebox and engage its toe with the indentation in the Bottom Log. Fig. 9.
3. Engage the Left Log with the rear burner plate pin. Fig. 10.
4. Spread the ember stones evenly over the burner plate in a single layer. **USE ONLY ONE-HALF OF THE EMBER QUANTITY. RESERVE THE BALANCE FOR REPLACEMENT PURPOSES AS THE EMBERS WILL BECOME WHITE OVER TIME.**

DO NOT PLACE EMBER STONES IN FRONT OF THE PILOT ASSEMBLY AREA. The carry-over ports directly in front of the pilot must remain unobstructed for proper burner ignition to occur.

Embers should be positioned in front of - not over - the rear burner ports. See Fig. 11.

5. Reinstall the glass frame using the 4 mm hex key and socket head screws previously removed.



**THIS APPLIANCE IS NOT FUEL CONVERTIBLE.
SEE RATING DATA PLATE FOR APPROPRIATE
FUEL SPECIFICATIONS.
DO NOT USE ANY OTHER FUELS.**

Gas Installation

Gas installation, pressure testing, and burner adjustments must only be performed by qualified personnel. It is important to adhere to national and local regulations that apply. In the UK these include BS5440 Parts 1 and 2, and also BS 5871 Part 1.

- The LPG gas container must be stored/installed according to national regulations. The gas container must have a pressure regulator that reduces the pressure to the required level. See technical data on page 4 for gas type and pressures before connecting to the appliance.
- The appliance must not be exposed to pressure above 55 mbar (5,5 kPa) during pressure testing.
- Gas tubing must conform to specifications required by the country / district of installation.
 - Copper tube shall conform to • BS EN 1057; or • BS EN 13349.
 - Steel tubing shall conform to • BS EN 10216-1 and BS EN 10217-1 and/or BS EN 10216-2; • BS EN 10217-2; or • BS EN 10255.
 - Pliable corrugated (stainless-steel) tubing shall conform to: • BS 7838; or • BS EN 15266.
- For practical reasons, the vent system should be installed before the appliance is connected to the gas supply.
- The stove is supplied with a 3/8" to 8mm compression union. The gas valve has a 3/8" NPT threaded connection.
- **NOTE:** The gas supply connection is made at the DN8 mm pipe work at the bottom of the brass Tee. Access is through the stove front. See figures 12 and 28.
- All tube connections must be approved and the gas pipeline must have an approved shutoff valve. Only use approved sealing agent (tape) at all the pipe connections. When the pipe sections have been assembled and connected to the appliance, open the gas supply and light the appliance (see lighting instructions). Perform a leak test on all the pipe connections.

Commissioning

Battery Installation

The TESC valve requires three, AA alkaline batteries be installed within the central battery compartment. The batteries supplied were used to test the valve and burner functions at the factory, however, these have been removed before shipping. Note the proper battery orientation as molded into the battery compartment.

Testing Gas Pressure

Correct gas pressure is important for the safe use of gas in the appliance. It is important that the correct gas pressure is set during the installation of the appliance.

The gas plumbing assembly is equipped with outlets (taps) for the testing of gas pressure. See figs. 12, 28, and the identification list below.

- **Supply Inlet A:** For supply pressure to the valve (volume of gas to the valve) see Technical Data, pg. 4. Access to the tap is from the rear.
- **Manifold Outlet B:** Access is from the left side as you face the stove. Test the gas pressure with the valve flame regulator set to the highest level.

Loosen the screw in the tap and attach the tube from the manometer to the outlet. Remember to tighten the screw when the testing is completed and test for leaks at each location with test fluid or a digital detector.

Required gas pressure from the vent (Outlet B) is displayed in the table below. (Note that the installer is required to operate the appliance for at least 20 minutes before measuring the burner pressure.)

Gas Type	Supply Pressure mbar	Burner Pressure (Hot) mbar (± 1.0 mbar)
Natural Gas		
G20	20	9.4
G20↔G25	20↔25	9.4↔11.8
G25	25	11.8
LPG		
G31	37	25.3

Inspection of the Pilot Flame

The pilot assembly flame should have two flames as shown in fig. 13. The rear flame should fully engulf the thermo-element that controls gas flow through the valve. The forward flame ignites the burner. Each flame should project out approximately 30 mm and be unobstructed.

The flames should be stable and the colour mainly blue. Call for service if any of these characteristics are evident:

- weak, lifting, or wandering flame
- yellow or dirty flame

Adjust the Flame Picture

The air shutter has been factory-set in the position appropriate for either propane or natural gas and normally will not require any adjustment. The air volume, however, may be tailored to accommodate variables inherent in individual installations.

Any adjustment of the air shutter must be performed only by a qualified gas technician.

Allow the burner to operate at the High power setting (Level 7) for 15-20 minutes before proceeding with any adjustment.

The shutter adjustment stem is located under the firebox floor. See fig. 15. Loosen the wing nut to permit the shutter stem to slide forward (toward yourself) or backward.

Forward adjustment (to stove front) opens the shutter for greater air/fuel mix and results in a lighter, bluish flame picture.

Backward adjustment reduces air volume and results in taller, more yellowish flames. Soot development on logs or walls indicates poor combustion and the need to increase the air supply.

Place a hash mark at the final location for future reference and tighten the wing nut securely. Record this adjustment in the Service Record section of this manual.

5. User Information

Operating Instructions

Commissioning, Lighting

NOTE! Odours may be present when using the stove for the first time:

When used for the first time and hot, the appliance will emit a harmless, non-toxic odour. It is recommended that the room should be thoroughly ventilated (by opening doors or windows) during initial use. The gas is not toxic, but the room should be thoroughly aired out. During first use, it may take a short time before the gas tube is cleared of air, but subsequently the appliance should function as described in the lighting instruction.

Prior to lighting:

1. Check the area around the appliance for possible gas leaks/ odors. Especially check near the floor, since propane is heavier than air and would gather close to the floor in the event of a leakage. (Note: Natural gas is lighter than air and will gather under the ceiling). If you detect an odor of gas, see Warnings under Safety Precautions on page 5.
- Do not use the appliance if any part of it has been submerged in water. Call for service to replace the parts that have been in water.

Manual Valve Control

The burner operates in conjunction with a pilot flame that is automatically lit when there is a call for heat by actuating either the valve controls or a remote control handset. The valve and burner controls are located under the firebox behind the access door. See fig. 16.

1. Master Switch:

Left position (O) - The valve is disconnected from all power. The burner cannot function. Set the switch to this position if the appliance will not be used for long periods.

Right position (I) - The valve is powered and ready to operate.

2. Indicator Lamp:

- Fast flashing - the valve is busy and will not accept commands.
- Medium Fast flashing - the valve is preparing to start or restart the burner.
- Slow flashing - the valve has detected an error.
- One short flash every 8 seconds - Low Battery condition. See Battery Replacement, page 11.

3. Burner Power Button: Powers the burner On and Off.

4. Power Increaser Button: Raises burner flame intensity through 7 levels.

5. Power Decreaser Button: Lowers flame intensity.

Lighting Instructions



WARNING: THIS APPLIANCE FEATURES ELECTRONIC PILOT IGNITION. DO NOT ATTEMPT TO LIGHT THE PILOT MANUALLY.

Lighting the Burner - Manually

1. Slide the white Master Switch to the right (I) to power the TESC valve.
2. Press the Burner Power button for 1 second and release. The red LED will flash accompanied by an audible chirp as the pilot flame ignites. Within approximately 1 to 10 seconds, the burner will light at the medium level 3.
Operate the burner at this power level for several minutes to allow the stove and vent system to thoroughly warm up before adjusting the power level further.
3. Adjust the burner intensity level by pressing the Increaser (+) and Decreaser (-) buttons to achieve the desired heat output.

Turning Off the Appliance - Manually

1. Press and release the Burner Power button. The burner will extinguish and go into Standby mode.

Remote Control (Handset) Operation

Refer to the instructions beginning on page 18.

CAUTION: If any flame supervision device or actuating flame (pilot light) is extinguished either intentionally or unintentionally, no attempt should be made to re-ignite the gas until at least 3 minutes have elapsed.

NOTE: If the appliance will not be used for an extended period, such as during summer or storage, disconnect power by setting the valve Master switch to the Left (O). It is also advisable to shut off the main gas supply line valve and remove the batteries from the TESC valve to prevent corrosion.

Battery Replacement

The TESC valve is powered by 3, AA 1.5v alkaline batteries.

1. Slide the white Master switch to the left (O) position to disconnect power, fig. 16.
2. Press and push the battery cover release lever to the left to open the compartment.
3. Orient the batteries as displayed on the inside the compartment.

Maintenance

The complete installation, including the gas supply, firebox, burner components and vent system, must be inspected annually. The inspection must be carried out by qualified service technician.

Annual Service

Annual service of the appliance includes the following check points.

1. Lighting and inspection of the pilot flame (see the section - Inspection of the Pilot Flame above);
2. Cleaning the glass;
3. The gasket around the glass must be inspected annually for wear and replaced if necessary;
4. Check if the textured embers need to be replaced;
5. Look for soot. It could be a result of the ceramic logs not being centred in the stove and completely pushed onto the metal plate, or the air regulator has been adjusted incorrectly. (see fig.15: Adjusting the air shutter)
6. Check the gas pressure if other gas equipment is connected to the gas supply;
7. Look for signs of corrosion on the appliance and the vent system;
8. Identify and clear any obstructions in the vent system (such as bird's nests, or branches from bushes and trees). Confirm the integrity of vent system seams and termination components.

External Maintenance

Painted products may change color after some years of usage. The surface should be cleaned and brushed free of any loose particles before new stove paint is applied. Enameled products must only be cleaned with a soft damp cloth and only the surface is cold.

Do not use water or soap. Enamel surfaces stain easily when hot. A solution of vinegar and baking soda may be used to remove stains.

6. Illustrations

Figure 1.

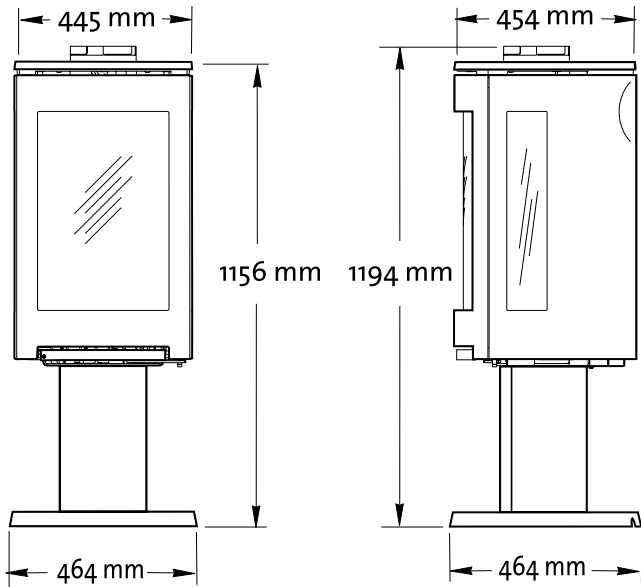


Figure 2.

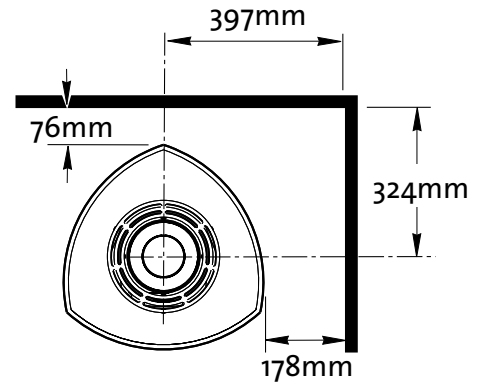


Figure 3.

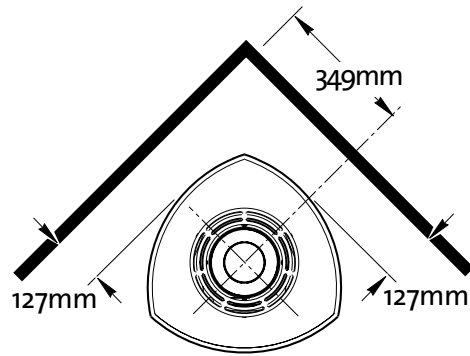


Figure 4.

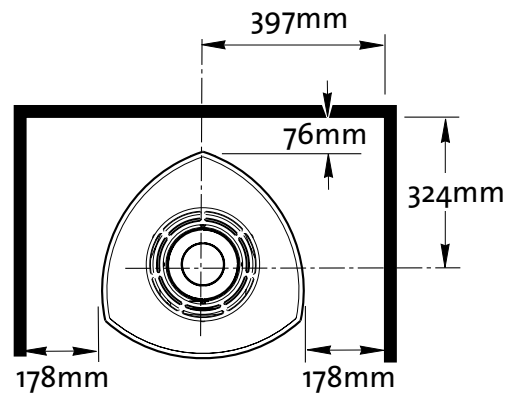


Figure 5. Vent Configurations.

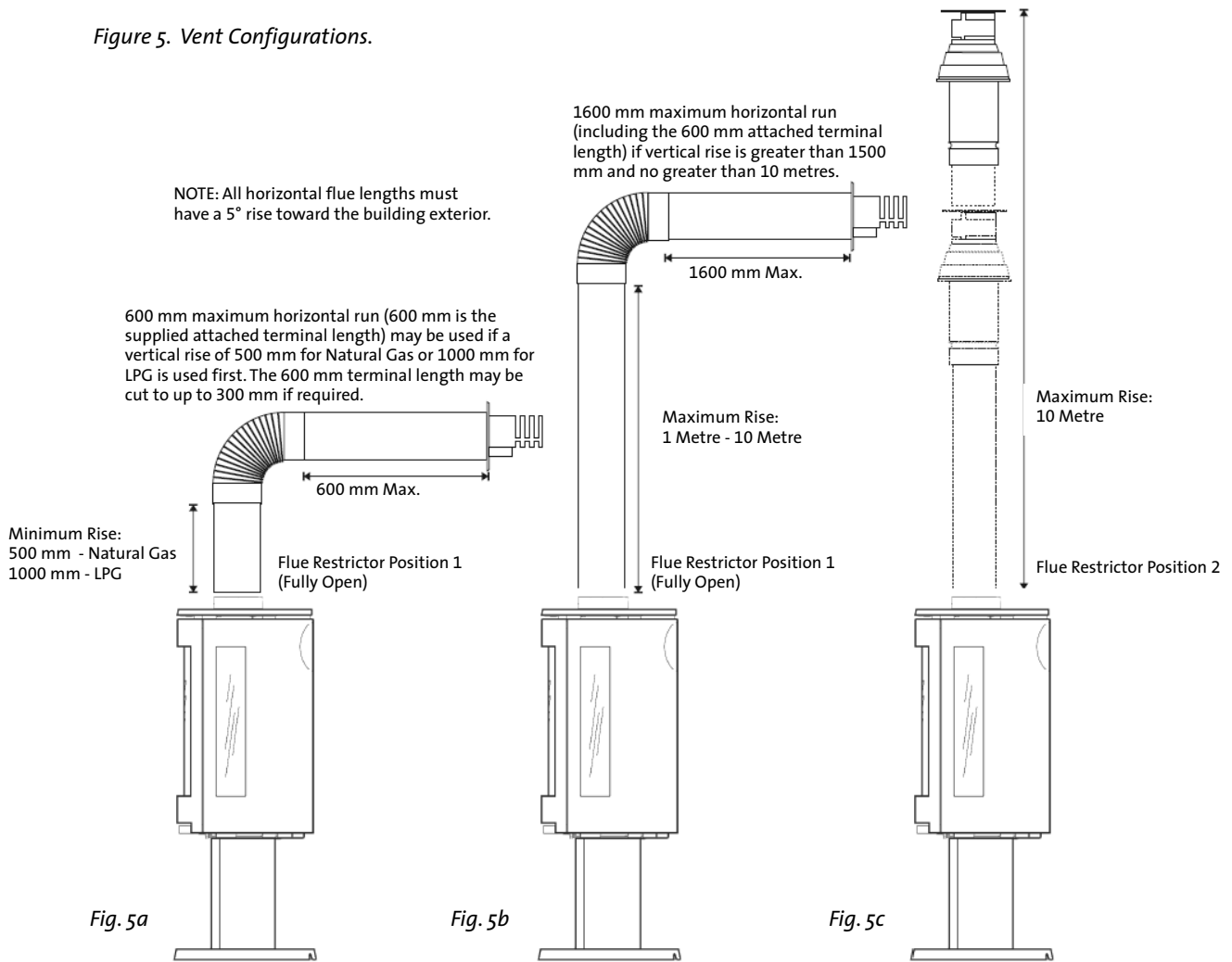


Figure 6. Top Baffle removal.

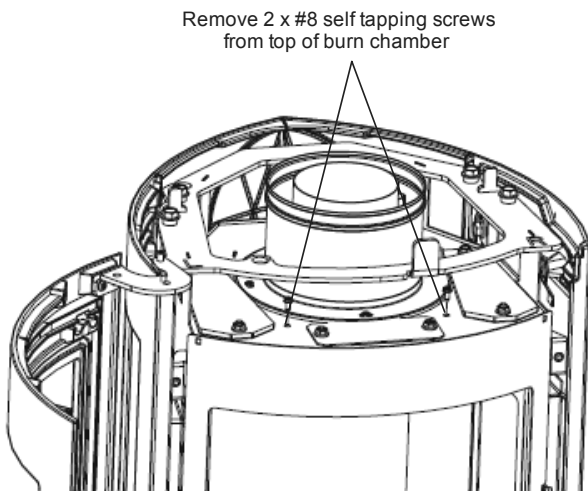
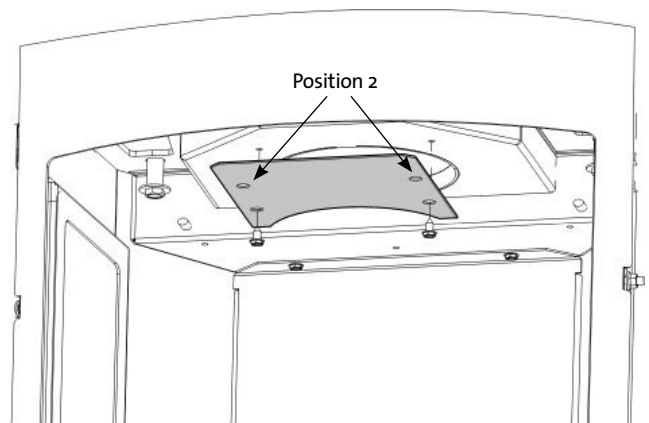


Figure 7. Adjust the Exhaust Restrictor for the appropriate vent configuration. See page 7.



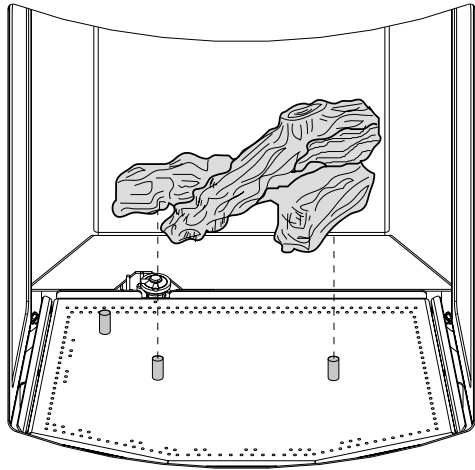


Fig. 8. Install Bottom Log.

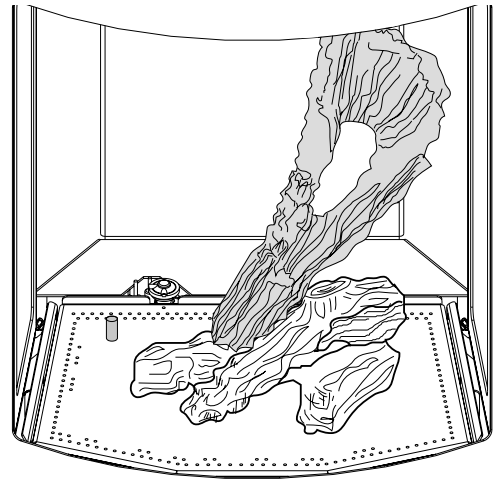


Fig. 9. Install Right Log.

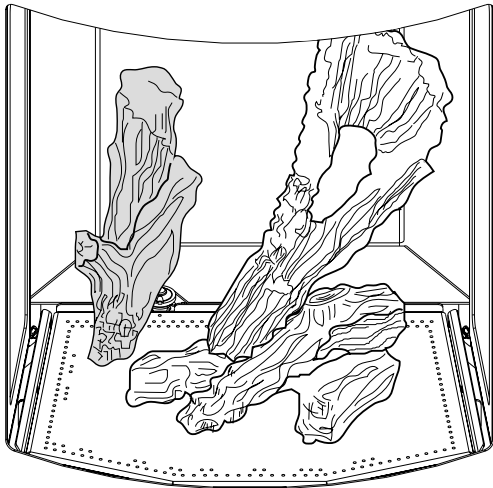


Fig. 10. Install Left Log.

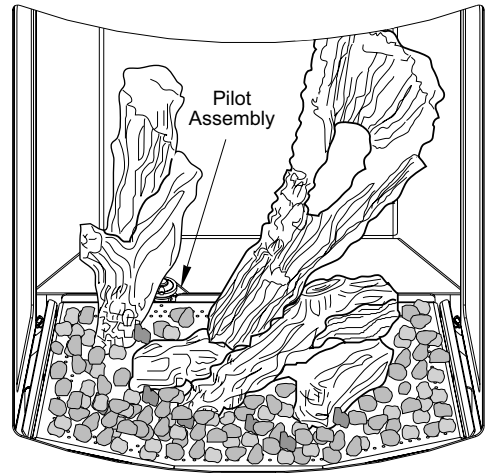


Fig. 11. Install Ember Stones.

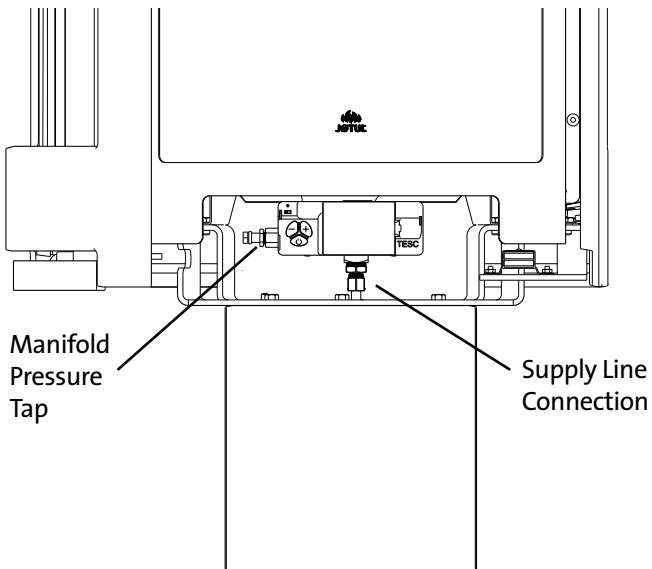


Fig. 12. Gas supply connection and pressure tap locations.

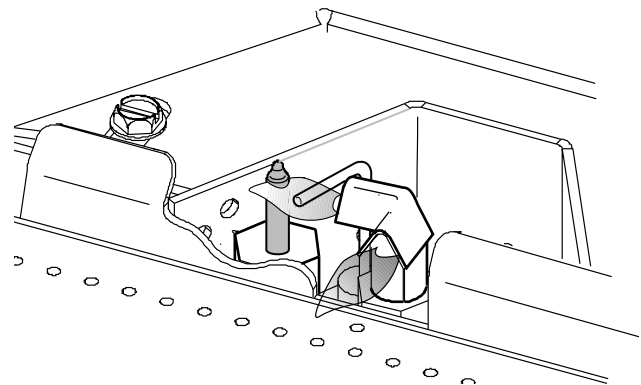


Fig. 13. Correct Pilot flame pattern.

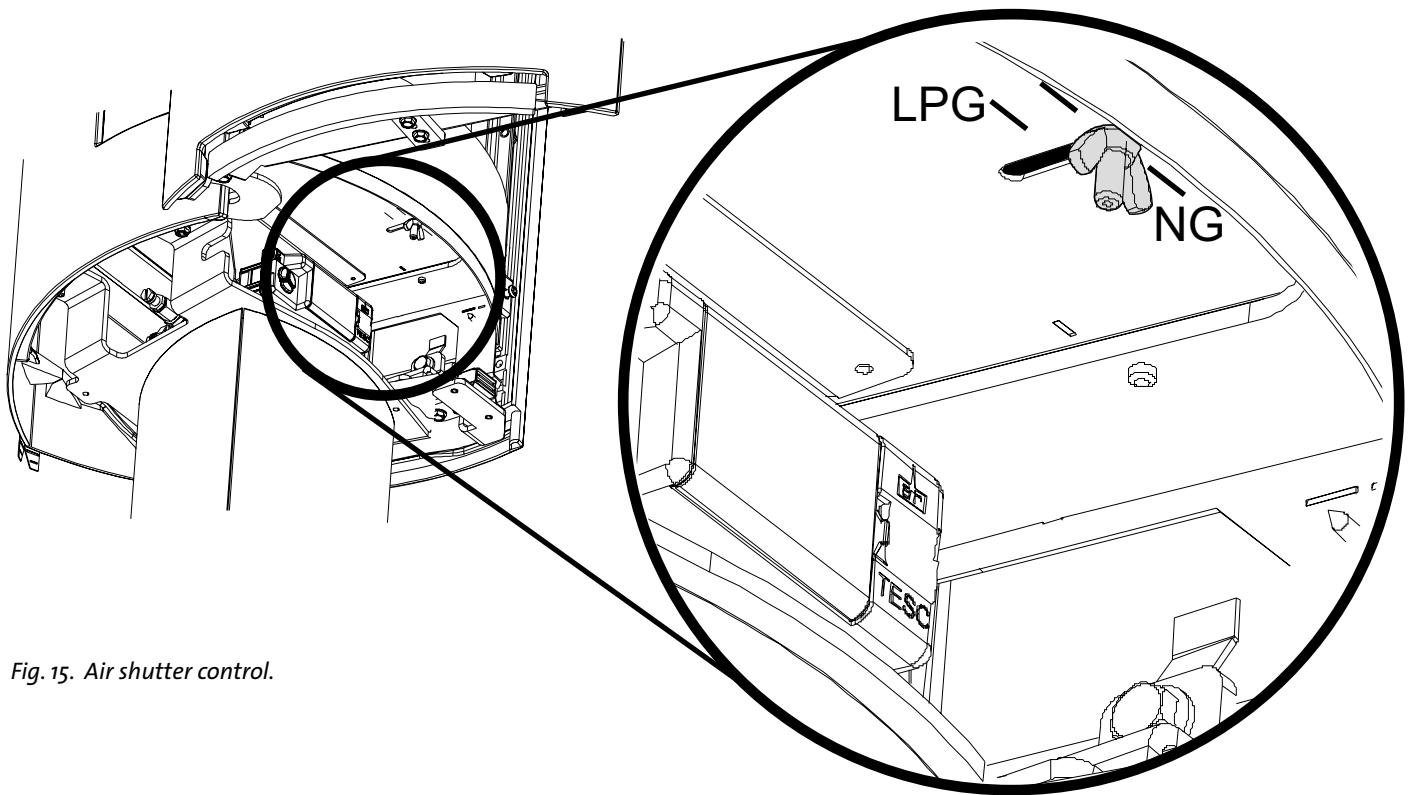


Fig. 15. Air shutter control.

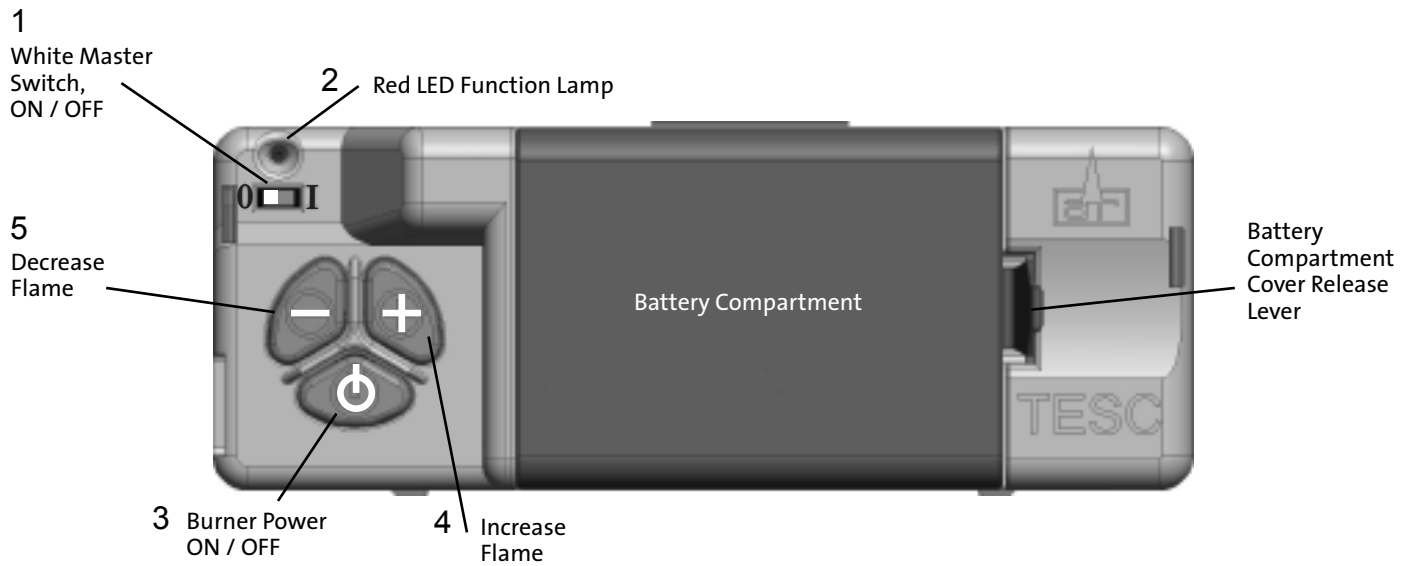


Fig. 16. Valve Operation Controls.

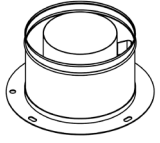
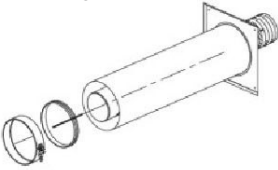




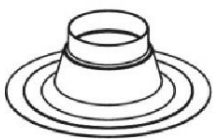
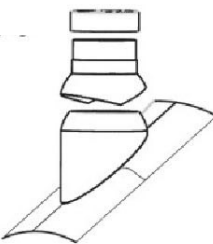
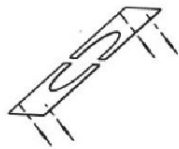


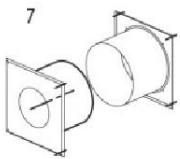
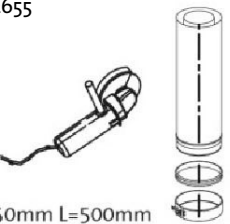


<p>M410082697</p>  <p>100 / 150mm flue adaptor</p>	<p>M82652</p>  <p>Ø100/150mm L=600mm</p>	<p>M82650</p>  <p>Ø100/150mm L=300mm</p>
<p>M82653</p>  <p>Ø100/150mm L=500mm</p>	<p>M82654</p>  <p>Ø100/150mm L=1000mm</p>	<p>M82668</p>  <p>Ø100/150mm L=325-440mm</p>
<p>M87379</p>  <p>Ø150mm 0-5°</p>	<p>M87913</p>  <p>Ø150mm >5°</p>	<p>M30170</p>  <p>Ø150mm</p>
<p>M82658</p>  <p>90° Ø100/150mm</p>	<p>M82659</p>  <p>2 X 45° Ø100/150mm</p>	<p>M82667</p>  <p>Ø150mm L=150-350mm</p>
<p>M82655</p>  <p>Ø100/150mm L=500mm</p>	<p>M87196</p>  <p>Ø150mm</p>	<p>M82661</p>  <p>Ø150mm</p>

Figure 17. Muelink and Grol flue components. All balanced flue accessories include locking bands.

7. Remote Control Operation

Before using the remote handset...

Familiarize yourself with all the handset functions and complete the **Remote Control Setup** procedure described in this section.

Handset Functions

Insert two, AA batteries into the rear compartment or the handset. The handset has been paired with the stove at the factory.

- Place the TESC valve Master power switch in the ON position. Fig. 16, #1.
NOTE: For safety reasons, any button must be **pressed and released** for the command to be recognized. Do not press and hold the button down, unless otherwise instructed.
- Grasp your hand around the back of the handset to unlock its functions. An audible signal and green unlock light will indicate that the handset is unlocked and ready to accept commands. The handset will remain unlocked and available to accept commands as long as you continue to hold it.

Display Read-outs - Fig. 18.

- Mode Status: MAN (Manual)
Zzz (Sleep), Thermostat or Timed
- Time: (12 hour or 24 hour display)
- Day of Week
- WiFi: (Valve and Handset are within command range)
- Burner Status: (OFF / ON)
- Room Temperature: (°C / °F)
- Battery Condition: (RC = Handset, FC = Fire Control)
- Handset Unlocked - Green when illuminated
- Light Sensor (for Display backlight)
- Handset Settings: (Press to change settings)
- Mode Settings: (Press to change modes)
- Increase Flame
- Decrease Flame
- Power - Press to turn burner ON and OFF.



Fig. 18.

Operation

To Turn Burner ON: Grasp handset around the back and sides to unlock it, (Signal and green light). Using the other hand, touch and hold a finger on the power button for about 3 seconds. (An audible signal and green light will flash.) Immediately release the power button when “PILOT” is displayed. A second green flash and a longer beep will signal to release the power button. The pilot should ignite within a few seconds followed by the burner.

NOTE: If the power button is held for more than a few seconds after the second flash/beep, the command is ignored for safety reasons. Similarly, if it is released too soon before the word PILOT appears, the command is also ignored. The system control is designed to ensure that unintended ignition cannot occur.

To Turn Burner OFF – Grasp handset to unlock it, then press and release power button once.

Remote Control Setup

After successful batteries installation, the Handset will display as shown in fig. 19. As supplied, the handset is already paired to the stove control system. Follow the steps below to configure basic settings for remote control functionality.



Fig. 19.

1. Set the time

- Holding the handset as described previously to unlock the keypad, press and hold "SET" for a few seconds. The display will be seen as shown in Fig. 19.

2. Set for 12 or 24 hour display

- As always when pressing the remote control buttons keep the control held to keep the green light on and therefore handset safety feature, unlocked. The H indicates you can set the timer to either 24 hour or 12 Hour (AM or PM) display. Press the + or - button on the handset to toggle between the two settings. Fig. 20. When you are ready to confirm the setting, press and release the "SET" button to progress to the Day of Week setting.



Fig. 20.

3. Setting the day of the week

- Press and release the + or - buttons until the correct day of the week is shown on the display. Fig. 21.
- (Mo = Monday, Tu= Tuesday, We=Wednesday, Th=Thursday, Fr=Friday, Sa= Saturday and Su=Sunday).
- Press "SET" to accept the day of the week and to progress to setting the Hour of the day.
 - NOTE: Pressing "SET" advances to the next display and pressing "MODE" will return you to the previous display setting.



Fig. 21.

4. Setting the Hour

- Press and release the + or - button to change the hour to the correct hour and press set to store and to move to setting the minute. Fig. 23.

Repeat this for setting the minutes.



Fig. 22.

5. Setting the temperature display to Celsius or Fahrenheit.

- Press and release the + or - button to toggle between C and F .

When the display shows the desired symbol, press and release the "SET" button to store.



Fig. 23.

6. Exit Setup Mode

- Press and hold (not releasing straight away) the "SET" button for a few seconds and this will exit the setup menu. (alternatively you can press and release the set button several more times until the time of day is displayed on the handset. The control is now ready for use.

7. Battery Usage

Note: the legend at the bottom shows the battery condition of both the batteries in the hand set and in the valve alternately.

- RC = Remote Control handset
- FC = Fire control.

The display battery icon will show an empty area when power begins to weaken. Monitor battery condition and change them before they go completely flat to avoid losing the remote control settings. Although stove Pairing is not lost if the batteries are removed or dead, replacing them before they have gone flat will avoid having to reset the time of day, day of the week, and other settings again.

8. Paging the handset

If you have misplaced the handset (and it is in range of the stove), you can page it by pressing the “+” button only on the fire control for 5 seconds. The handset will flash and signal to help you to locate it. The flashing and sound will last for 60 seconds or until it is picked up. If the handset is not found in 60 seconds, repeat the page process.

- **NOTE: PRESS “+” Button ONLY. Do not press “+” and “-” simultaneously as that will accidentally break the handset/stove synchronization.** The pairing will then need to be reset. Should this occur, see “Pairing the Remote Control” on the next page to rest synchronization.

9. Handset Display Settings

In the event that you may want to change the other preset settings of the control features. Do not do a long press and hold above but a normal short press and release will take you into the advanced settings area.

Advanced settings options:

- **Backlight** (LA-O / LA-I)
L-A = Automatic (default setting). Illuminates in the dark, but not in the light.
L-o = Backlight never On.
L-1 = Backlight ON only when handset is unlocked.
- **Display Contrast (C 1)** – 8 levels from 0 to 7 (default level 4).
- P - Not Available

10. Alternate Automatic Modes

Depending upon the features of your stove, the handset may be enabled to control the following automatic functions:

- Thermostat mode
- Timed Thermostat mode
- Sleep mode. Sleep mode can be selected to work in conjunction with either manual or thermostatic modes.
- You can switch between modes at any time with the handset unlocked by pressing and releasing the MODE button to toggle between modes.
- Note: If at any time the POWER button is pressed during operation, this will stop the fire and exit any automatic mode and return the handset to manual (MAN) operation mode.

11. Sleep mode (Zzz) in Manual Operation

Sleep mode is used to set a period of time after which the burner will turn off.

The Sleep time period can be set before or during manual operation of the fire. Hold the handset to unlock it as described previously and press the MODE button as many times as necessary until the word MAN and the Zzz symbols are flashing at the top of the display. Press and release the SET button and this will put the control into Manual Sleep mode.

The default time period for the Sleep time period is 1:00 hour. Pressing the SET button again will show the remaining Sleep time. Set the desired time by pressing the “+” or “-“ buttons to cycle as necessary. The available timer period can be set from 1 minute to 4:00 hours.

Press SET to change the time setting required, or, if left for a few seconds, that time will be stored and used.

The burner control will shut Off at the end of the time period and, as in Manual mode, it will remain Off.

12. Sleep mode in Thermostatic mode

Sleep mode may be set before or during a thermostatic mode operation (see below).

13. Thermostatic mode for closed fires

Grasp the handset and press and release the MODE button several times as necessary until the display shows the thermometer symbol flashing at the top of the display. Press the SET button to enter this mode.

Press the SET button again to see the temperature setting that is set and the mode (the default is 24°C).

Press the (+) or (–) buttons to alter the setting as desired. When finished, press SET or leave and after a few seconds the new setting will be accepted.

NOTE: When the set temperature is reached while the fire is in operation, the burner power level will reduce each minute until the burner is off. The burner will then remain off until it is manually reignited. The thermostat function may then be reset as described above.

14. Pairing the Remote Control

Although the remote control is paired with the stove at the factory, it may become necessary to cancel the pairing and re-synchronize the two, follow the steps below.

NOTE: A new pairing can be made accidentally necessary by pressing the (+) and (-) buttons on the remote control or on the TESC valve control simultaneously for 5 seconds.

Resetting the remote control display to factory settings

- Hold the remote control to unlock.
- Hold down the SET button until the remote beeps, then release. PROG appears in the top left corner.
- Press and release the Mode button until the word SETUP flashes in the upper right corner.
- Press and release SET to enter SETUP menu.
- Press and release the Set button about 9 times, until the display indicates “CA” (Cancel All)
- Press and release the (+) or (-) for the display to appear “CA1”, then press and release the SET button once. “TESC” will appear in the display to indicate the remote control is now cleared and ready to be paired to the valve control.



Fig. 24.

Pairing the handset to the TESC valve

- **Confirm all batteries are fresh and correctly installed.**
- Set the valve master Power switch (I) to ON.
- Place the handset within 1 meter (3 ft.) of the stove.
- Simultaneously press and hold **both (+) and (-)** buttons on the Control Valve (not on the handset) until the LED illuminates solid RED. Immediately press the ON (Power) button. The handset will chirp and display (T-T). See Fig. 25.
- Grasp the remote control to illuminate the GREEN light and enable keypad commands to the burner control valve.
- Press “SET” with your other hand to complete the pairing.
- Adjust time and temperature settings as previously described.



Fig. 25.

As indicated earlier in this manual...

N.B. If the display returns to the word “TESC”, as shown above, too much time has passed before pressing “SET” and the pairing has failed. Repeat the pairing procedure from the beginning.

N.B. Never press the (+) and (-) simultaneously, except when pairing. Unless initializing pairing, this action will cancel synchronization and require resetting the remote control to factory settings,

8. Appendix A

Illustrated Part Breakdown

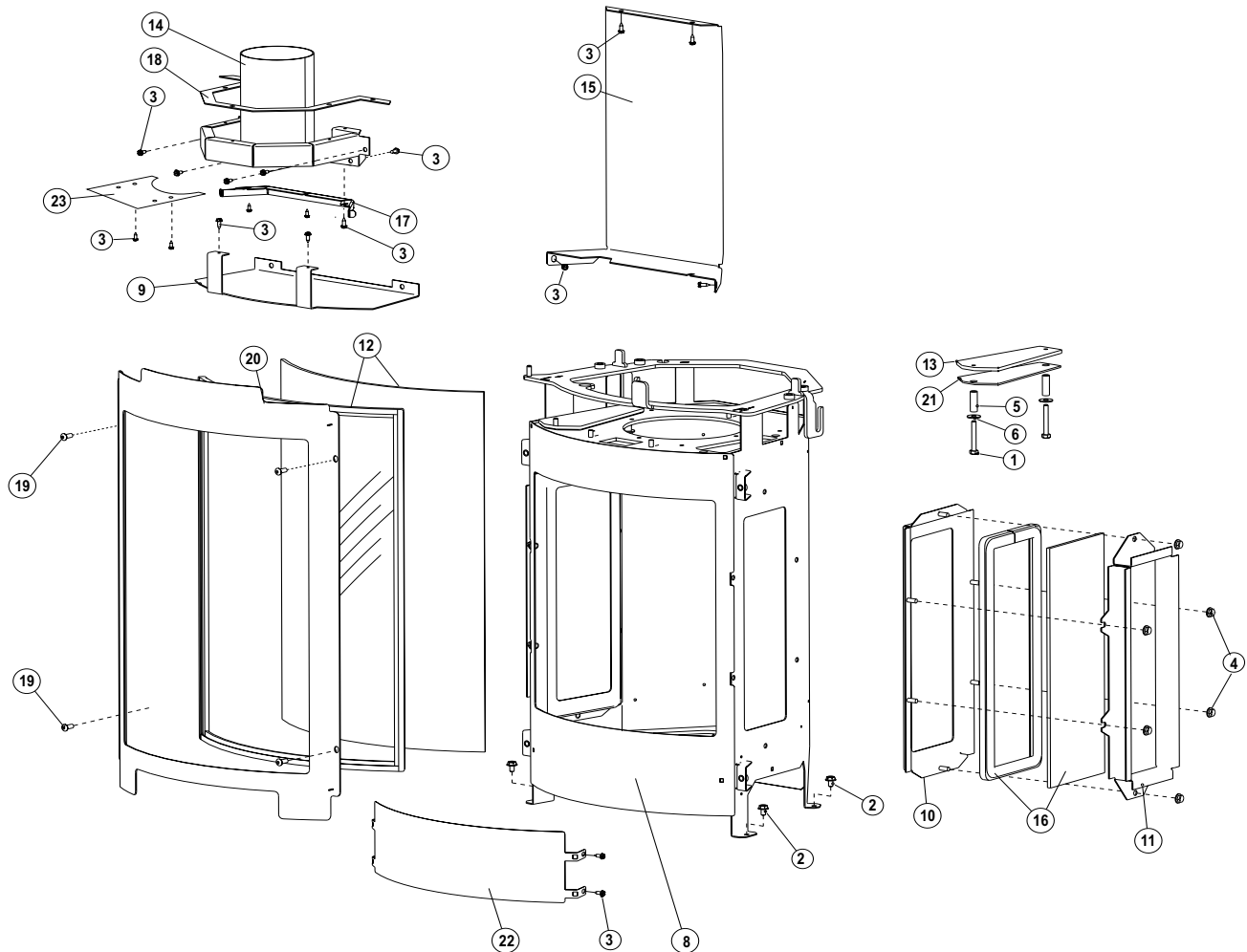


Figure 26.
GF 373 BF CE Firebox components

No.	Part Number	Description	No.	Part Number	Description
1	9911	Bolt, Hex Cap, M6x45, DIN 933, Class 8.8, Blk	14	224710	Intake Manifold
2	9962	Bolt, Hex Cap M6x10 DIN 933 8.8 Ser Flange Blk	15	22320592	Burner Skirt, Rear, GF 370, MB
3	117917	Screw, HWH SMA 8 x 1/2 SL Blk Oxide	16	156834	Replacement Inner Side Glass & Gasket, GF 370
4	117968	Nut, M6 Serrated Flange plain	17	22324392	Panel Retainer, GF 370
5	118267	Spacer, .375 O.D. x 1.50	18	223295	Gasket, Intake Manifold, GF 370
6	120004	Washer, Fender M6 DIN 9021B Zinc	19	118201	Screw, Button Head Socket, M6 X 16, Blk
7	129118	Gasket, Starter	20	22259292	Glass Frame, Curved, GF 370, MB
8	222580	Firebox Weldment, GF 370	21	222993	Gasket, Relief Door, GF 370
9	22258892	Baffle, Firebox, GF 370, MB	22	22328292	Firebox Cover, GF 370, MB
10	22258992	Glass Frame, Side, Inner, GF 370, MB	23	224716	Exhaust Restrictor Plate
11	22273592	Glass Shade, Side, GF 370, MB	24*	223224	Skamol, Rear Panel
12	156833	Replacement Front Glass & Gasket, GF 370	25*	223235	Skamol, Side Panel, 2
13	222981	Delay Door, GF 370			

* not illustrated

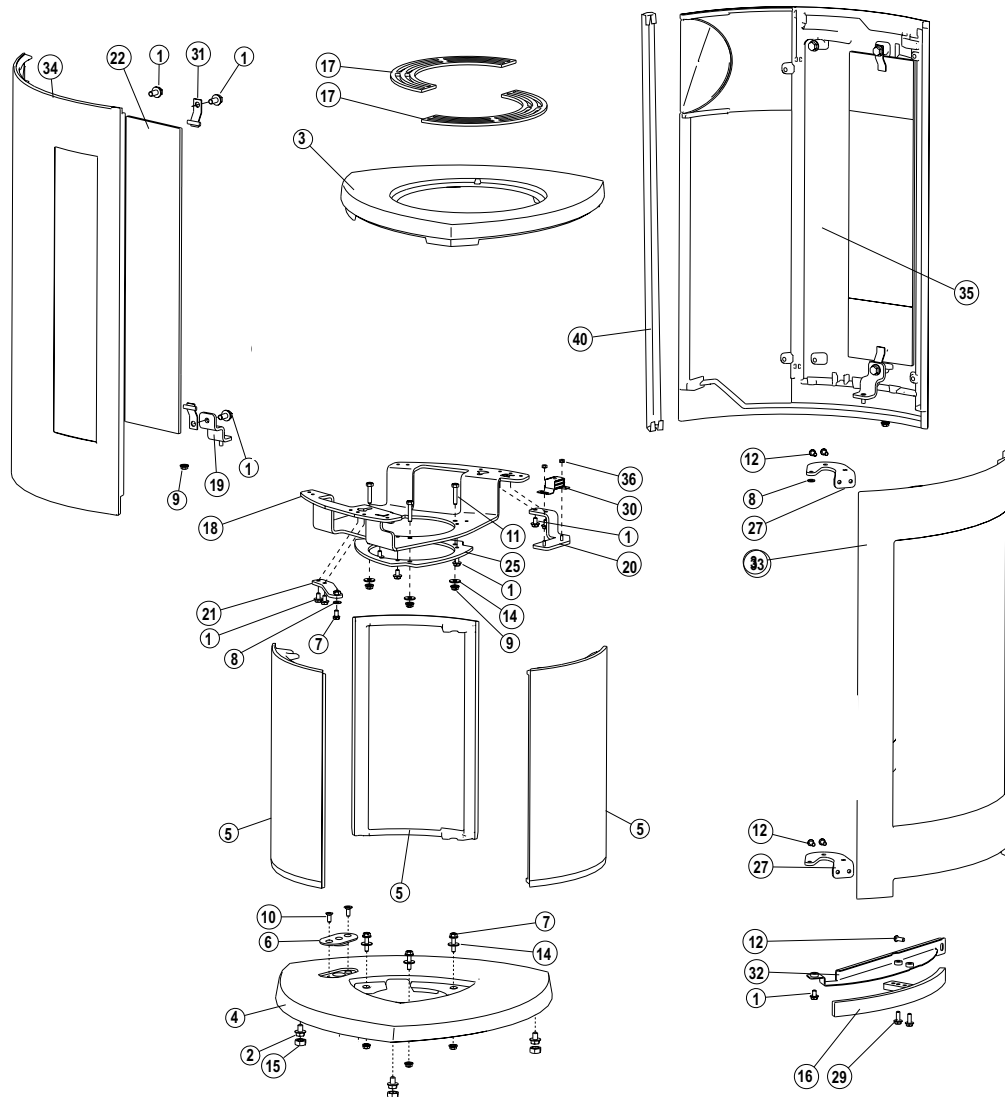


Figure 27.
GF 373 BF CE Exterior components

No.	Part Number	Description	No.	Part Number	Description
1	117874	Bolt, Hex Hd M8 x 16 Ser Flange Blk	25	223220	Plate, Centering, GF 370
2	99115	Bolt, Hex Hd M8 x 12 Ser Flange Blk	27	22606992	Hinge, Door, MB
3	10447092	Top Plate, Matte Black Paint	22606953	Hinge, Door, White Enamel	
	10447053	Top Plate, White Enamel	28	223236	Label, Caution,
4	10431992	Pedestal Base, Matte Black Paint	29	99625	Bolt, Hex Head Serr Flange M6x16 8.8 Blk
	10431953	Pedestal Base, White Enamel	30	223290	Latch, Magnetic
5	10448892	Pedestal Side, Matte Black Paint	31	156837	Replacement Outer Side Glass Clip Ass'y.
	10448853	Pedestal Side, White Enamel	32	22328592	Bracket, Handle, MB
6	10453692	Access Cover, Matte Black Paint	33	10446392	Door, Matte Black Paint
	10453653	Access Cover, White Enamel	10446353	Door, White Enamel	
7	118019	Bolt, Hex Hd Serr Flange M6 x 25 Blk	34	10446492	Side Plate, Left, Matte Black Paint
8	117947	Washer, Flat M6 -.062 DIN 125A Plain	10446453	Side Plate, Left, White Enamel	
9	117968	Nut, M6 Serrated Flange plain	35	10446592	Side Plate, Right, Matte Black Paint
10	117976	Screw, Flat Head Phillips M6 X 12 M/S Blk	10446553	Side Plate, Right, White Enamel	
11	9906	Bolt, Hex Cap, M6x30, DIN 933, Class 8.8, Blk	36	118055	Kepnut, M4, Ext. Tooth Lockwasher, Stl, Zinc
12	117978	Screw, Button Head Socket M6 x 10 Blk	37	22383292	Rear Cover, MB
14	120004	Washer, Fender M6 DIN 9021B Zinc	39	118236	Screw, M6 x 20
15	222664	Protection Cap, M8 Hex, Black	40	22385292	Rear Seam Molding, Matte Black Paint
16	222729	Door Handle, Plated, GF 370	223852WHP	Rear Seam Molding, White Paint	
17	22299592	Top Grill, GF 370, MB			
18	222998	Bracket, Firebox Mount, GF 370			
19	222999	Bracket, Side Support, GF 370			
20	22320792	Bracket, Door Catch, GF 370, Matte Black			
21	156843	Lower Door Hinge Assy. GF 370, MB			
22	156835	Replacement Outer Side Glass, GF 370			

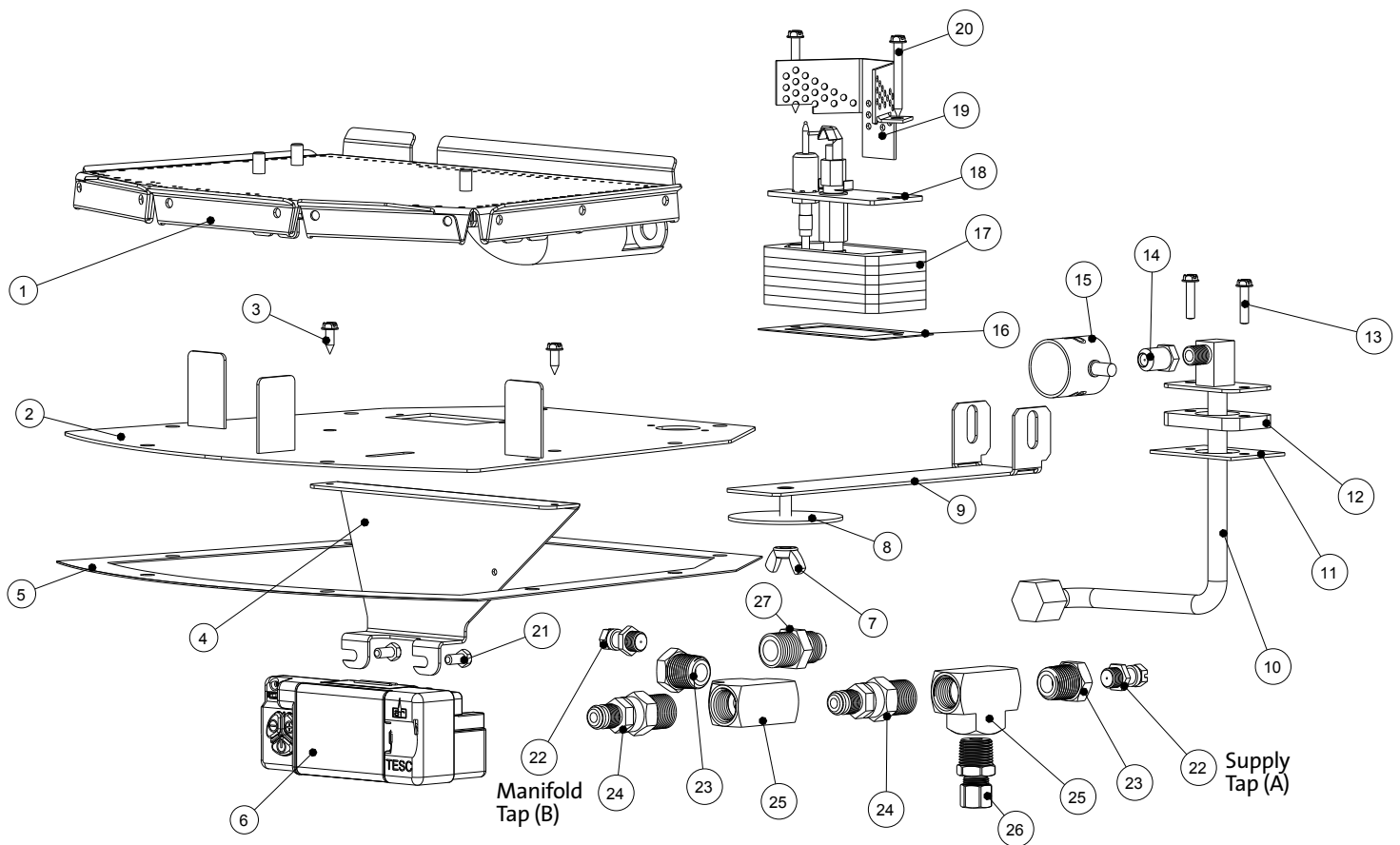


Figure 28.
GF 373 BF CE Burner and Valve Assembly

No.	Part Number	Description
1	156812	Burner Weldment
2	226001	Spud Plate Weldment
3	117917	Screw, HWH SMA #8 x 1/2 SL Blk Oxide
4	225943	Bracket, Valve Mount
5	225581	Gasket, Spud Plate
6	158016	Valve Assembly, TESC GF 373 BF CE, G20
	158017	Valve Assembly, TESC GF 373 BF CE, G31
7	117975	Wing Nut, M6 Zinc
8	220734	Gasket, 2.25 in OD x .125
9	223201	Handle, Primary Air
10	223231	Orifice Holder, Drop-in Assembly, 12.5 Tube
11	222280	Gasket, Drop-in Orifice Holder
12	224132	Orifice Holder Spacer
13	117986	Screw, #8 x 3/4 SL HWH SMA Zinc
14	220946	Orifice, #40, G20
	129146	Orifice, 1.5mm, G31
15	221390	Primary Air Shutter
16	129670	Gasket, Pilot Assembly
17	225628	Pilot Shims, Pilot Assembly, (6)
18	225984	Pilot Assembly, TESC Valve - CE Products
19	223204	Pilot Air Deflector
20	118218	Screw, HWH SMA 8 x 1.5" SL Zinc
21	117970	Bolt, Hex Cap M5 x 10 DIN 933 8.9 Plain

No.	Part Number	Description
15	221390	Primary Air Shutter
16	129670	Gasket, Pilot Assembly
17	225628	Pilot Shims, Pilot Assembly, (6)
18	225984	Pilot Assembly, TESC Valve - CE Products
19	223204	Pilot Air Deflector
20	118218	Screw, HWH SMA 8 x 1.5" SL Zinc
21	117970	Bolt, Hex Cap M5 x 10 DIN 933 8.9 Plain
22	225937	Test Point Nipple, 1/8 NPT, B.E.S. 6901
23	226077	Adaptor Fitting, 3/8" Male NPT x Female 1/8"
24	226076	Swivel Fitting, 3/8" Male NPT x M12
25	225980	Tee, Brass, Female NPT
26	220168	Adaptor, Brass, 3/8" NPT to 5/16" Compression
	226036	Adaptor, 3/8" NPT to 1/2" BSPP (G1/2)
27	223215	Adaptor, Straight, Brass, 3/8 NPT x 3/8" Dia. Flare

Appendix B

Top Plate Shims

1. Remove the Top Plate.
2. Remove the three shims highlighted in the illustration below.
3. **Matte Black Stoves:** Replace the Top Plate and discard the shims.

White Enamel Stoves: Locate the three larger shims shipped separately within the firebox and install these in the same locations as those previously removed.

4. Replace the Top Plate.

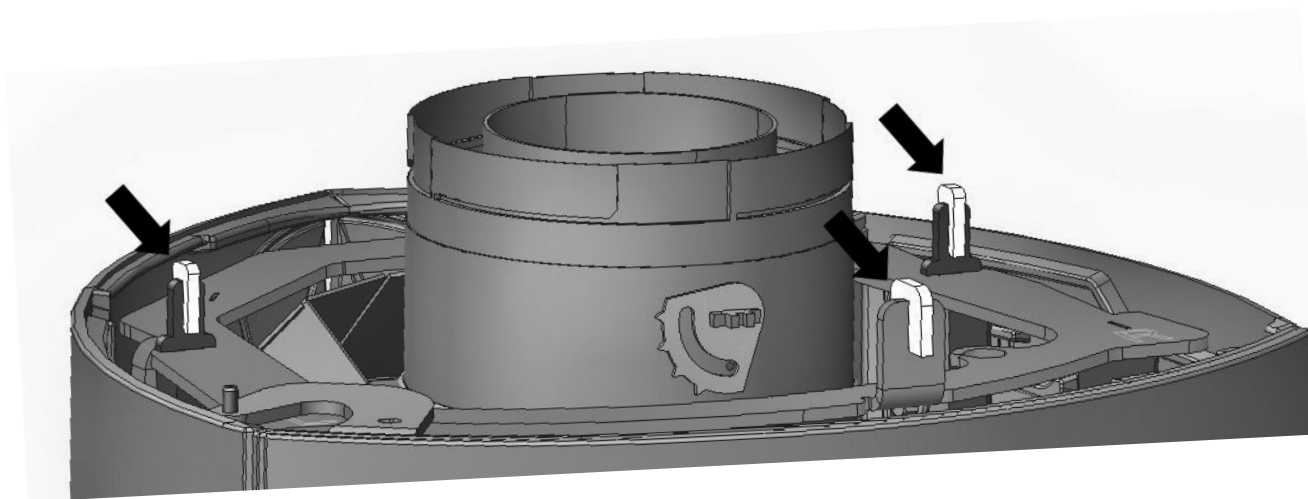


Fig. 29. Transport shims.

9. Jøtul Gas Product Limited Warranty

This warranty policy applies to gas products identified by the Jøtul trade name GF 373 BF CE as set forth below.

A. LIMITED TWENTY-FIVE YEAR WARRANTY - Cast Iron: Jøtul North America Inc. (JØTUL) warrants, to the original retail purchaser, that those components of the Jøtul Gas Stove or Fireplace Insert specified above will be free of defects in material and workmanship for a period of twenty-five (25) years from the date of purchase. This warranty is subject to the terms, exclusions and limitations set forth in the following text.

B. LIMITED TWO YEAR WARRANTY - Burner, Burner Treatments, Firebox Components: JØTUL warrants, to the original retail purchaser, that those components of the Jøtul Gas Stove specified above will be free of defects in material and workmanship for a period of two (2) years from the date of purchase. This warranty is subject to the terms, exclusions, and limitations set forth in the following text.

C. LIMITED TWO YEAR WARRANTY - Enamel Finish: JØTUL warrants, to the original retail purchaser, the enamel finish on cast iron components of the Jøtul Stove or Fireplace Insert specified above against peeling or fading for a period of two (2) years from the date of purchase. This warranty is subject to the terms, exclusions and limitations set forth below.

D. LIMITED TWO YEAR WARRANTY - Gas Components (controls, plumbing, valve): JØTUL warrants, to the original retail purchaser, that those components of the Jøtul Gas Stove specified above will be free of defects in material and workmanship for a period of two (2) years from the date of purchase. This warranty is subject to the terms, exclusions, and limitations set forth in the following text.

JØTUL will repair or replace (including parts & labor), at its option, any of the above components determined by JØTUL to be covered by this warranty. You must, at your own expense, arrange to deliver or ship the component to an authorized Jøtul dealer and arrange for pickup or delivery of the component after repairs have been made. If, upon inspection, JØTUL determines that the component is covered by this warranty, the repair or replacement will be made as set forth above. This warranty is not transferable and is extended only to, and is solely for the benefit of, the original retail purchaser of the Jøtul Gas Stove. This paragraph sets forth the sole remedy available under this warranty in the event of any defect in the Jøtul Gas Stove.

The warranty period for any replaced component will be the remaining unexpired portion of the warranty period for the original component.

Please retain your dated sales receipt in your records as proof of purchase.

EXCLUSIONS AND LIMITATIONS

NOTICE: This warranty is void if installation or service is performed by someone other than an authorized installer, service agency or gas supplier, or if installation is not in conformance with the installation and operating instructions contained in this owner's manual or local and/or national fire and building regulations. A listing of local authorized installers, service agencies and gas suppliers can be obtained from the National Fireplace Institute at <http://www.nficertified.org/>.

This warranty does not cover the following:

- 1) Repair or replacement of parts that are subject to normal wear and tear during the warranty period or to parts that may require replacement in connection with normal maintenance. These parts include gaskets and glass (except to the extent such parts suffer damage from thermal stress).
- 2) Damage due to incorrect installations not in conformance with the installation instructions contained in this owner's manual or local and/or national fire and building regulations.

- 3) Damage due to service performed by an installer, service agency or gas supplier, unless otherwise agreed to in writing by JØTUL.
- 4) Labor or other costs associated with the repair of gas controls, plumbing, burners, log set, or sheet metal firebox beyond the warranty period.
- 5) Damage caused by unauthorized modification, use or repair.
- 6) Damage to enameled surfaces caused by improper operation or misuse, including use that is not in conformance with the operating instructions contained in this owner's manual. Such damage can typically be identified by bubbling, cracking, or discoloration of the enamel finish.
- 7) Costs incurred by travel time and/or loss of service.
- 8) Damage incurred while the Jøtul Gas Stove is in transit.

IN NO EVENT SHALL JØTUL, ITS PARENT COMPANY, SHAREHOLDERS, AFFILIATES, OFFICERS, EMPLOYEES, AGENTS OR REPRESENTATIVES BE LIABLE OR RESPONSIBLE TO YOU FOR ANY SPECIAL, INDIRECT, INCIDENTAL, CONSEQUENTIAL, PUNITIVE OR OTHER SIMILAR DAMAGES, INCLUDING, BUT NOT LIMITED TO, LOST PROFITS, LOST SALES, INJURY TO PERSON OR PROPERTY, OR DAMAGES TO A STRUCTURE OR ITS CONTENTS, ARISING UNDER ANY THEORY OF LAW WHATSOEVER. ALL IMPLIED WARRANTIES, INCLUDING THE IMPLIED WARRANTIES OF MERCHANTABILITY AND FITNESS FOR A PARTICULAR PURPOSE, OR OTHERWISE, ARE LIMITED IN DURATION TO THE LENGTH OF THIS WRITTEN WARRANTY. EXCEPT AS EXPRESSLY SET FORTH HEREIN, JØTUL MAKES NO ORAL, WRITTEN OR OTHER WARRANTY WITH RESPECT TO JØTUL, SCAN OR ATRA GAS STOVES OR FIREPLACES.

Some states do not allow the exclusion or limitation of incidental or consequential damages, or limitations on the length of implied warranties. Therefore, the above exclusions or limitations may not apply to you. This warranty gives you specific legal rights, and you may have other rights, which vary from state to state.

JØTUL reserves the right to discontinue, modify or change the materials used to produce the Jøtul Gas Stove. JØTUL shall have the right to replace any defective component with substitute components determined by JØTUL to be of substantially equal quality and price.

The dollar value of JØTUL's liability for breach of this warranty shall be limited exclusively to the cost of furnishing a replacement component. JØTUL shall not in any event be liable for the cost of labor expended by others in connection with any defective component. Any costs or expenses beyond those expressly assumed by JØTUL under the terms of this warranty shall be the sole responsibility of the owner(s) of the Jøtul Gas Stove.

No dealer, distributor, or other person is authorized to modify, augment, or extend this limited warranty on behalf of JØTUL. NO MODIFICATION OR CHANGE TO THIS WARRANTY WILL BE EFFECTIVE UNLESS IT IS MADE IN A WRITTEN DOCUMENT MANUALLY SIGNED BY AN AUTHORIZED OFFICER OF JØTUL.

An authorized installer may have been provided with certain information related particularly to the Jøtul Gas Stove; however, no authorized installer or other person who may service the appliance is an agent of JØTUL. No inference should be made that JØTUL has tested, certified, or otherwise pronounced any person as qualified to install or service the appliance. JØTUL shall not be liable or otherwise responsible for any error or omission by a person installing or servicing a Jøtul Gas Stove.

If you believe your Jøtul Gas Stove is defective, you should contact your nearest authorized Jøtul dealer, who will process a warranty claim. IN ORDER TO QUALIFY FOR WARRANTY COVERAGE, JØTUL MUST RECEIVE NOTICE OF A POSSIBLE DEFECT WITHIN SIXTY (60) DAYS OF THE DATE THE DEFECT IS FIRST DISCOVERED, OR REASONABLY COULD HAVE BEEN DISCOVERED.

This warranty is given by Jøtul North America, Inc.,
55 Hutcherson Drive, Gorham, Maine 04038 USA

10. Service Record

INSTALLATION SIGNATURE FORM

With proper usage and maintenance, this appliance will provide you with many years of satisfactory service. Please contact your Jøtul dealer for assistance if any problems should arise with your Jøtul appliance. Save this user manual and make sure it is available to service personnel.

Model Name: Jøtul GF 373 BF CE
Serial No: (on Rating Data Plate)
Purchase Date:
Name of Installer:
Fuel Type:
Notes:

Annual service - year 1
Company: Sign.:
Date:
Service details:

Annual service - year 2
Company: Sign.:
Date:
Service details:

Annual service - year 3
Company: Sign.:
Date:
Service details:

Annual service - year 4
Company: Sign.:
Date:
Service details:

Annual service - year 5
Company: Sign.:
Date:
Service details:

Annual service - year 6
Company: Sign.:
Date:
Service details:

Annual service - year 7
Company: Sign.:
Date:
Service details:

Annual service - year 8
Company: Sign.:
Date:
Service details:

Annual service - year 9
Company: Sign.:
Date:
Service details:

Annual service - year 10
Company: Sign.:
Date:
Service details:

139807_R4
July, 2017

This appliance must be installed in conformance with local and national building regulations. Before beginning the installation, it is important that these instructions be carefully read and understood. Jøtul maintains a policy of continuous product development. Consequently, products may differ in specification, color or type of accessories from those illustrated or described in various publications.



Manufactured by
Jøtul North America, Inc.
55 Hutcherson Drive
Gorham, Maine 04084

Distributed by
Jøtul UK Limited
Unit 1, The IO Centre, Nash Road
Park Farm North, Redditch,
Worcestershire, UK B98 7AS
Tel :01527 506010 Fax: 01257 528181

www.jotul.uk