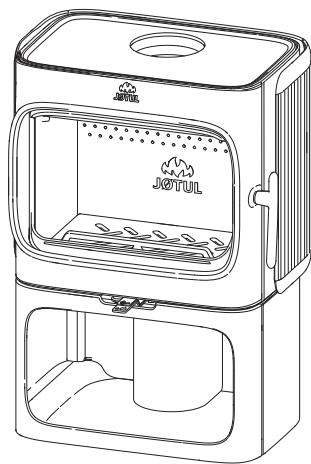
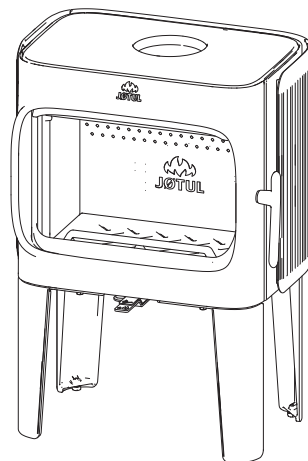


Konveksjonssett F 305
Convection Kit F 305
Art. nr. 51048012

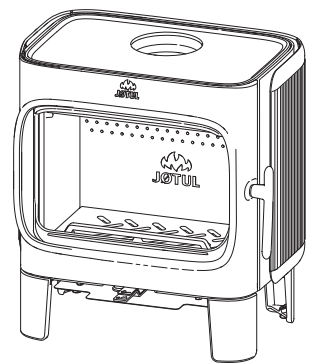
Jøtul F 305
Manual version P01



Jøtul F 305 C B



Jøtul F 305 C LL



Jøtul F 305 C SL



Fig 1

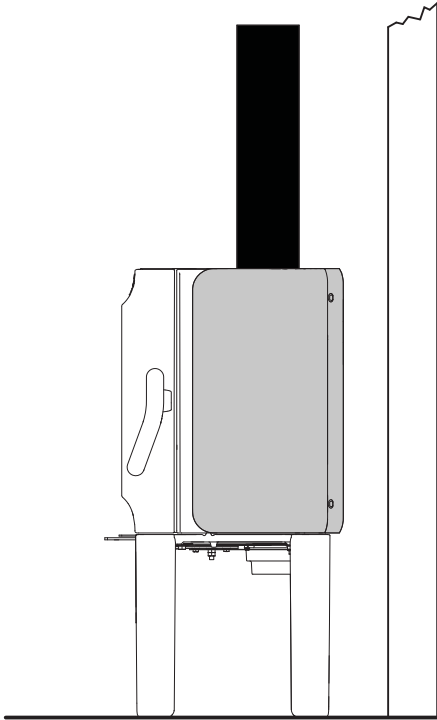


Fig 2

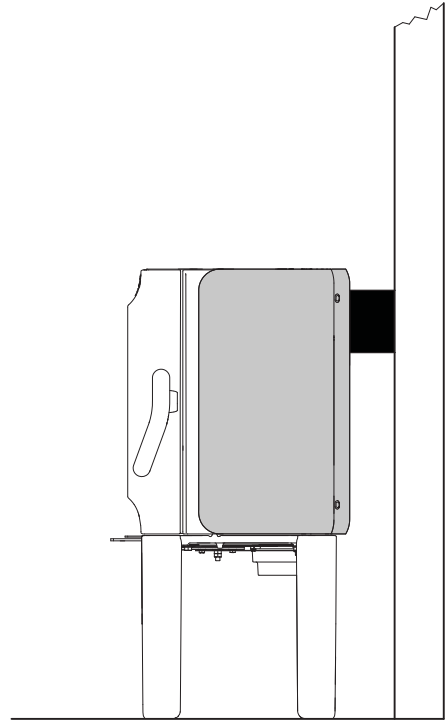


Fig 3

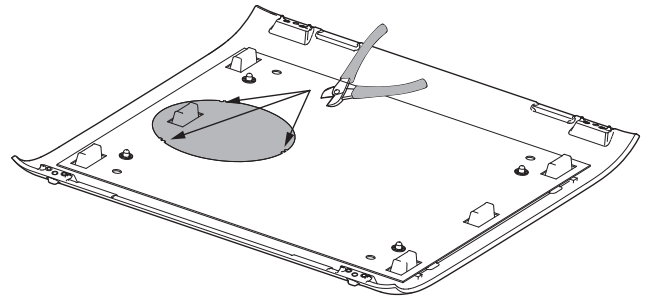


Fig 4

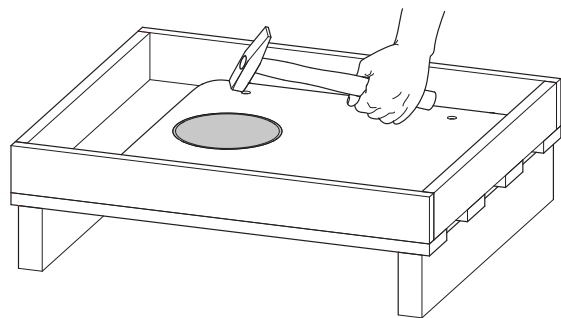


Fig 5

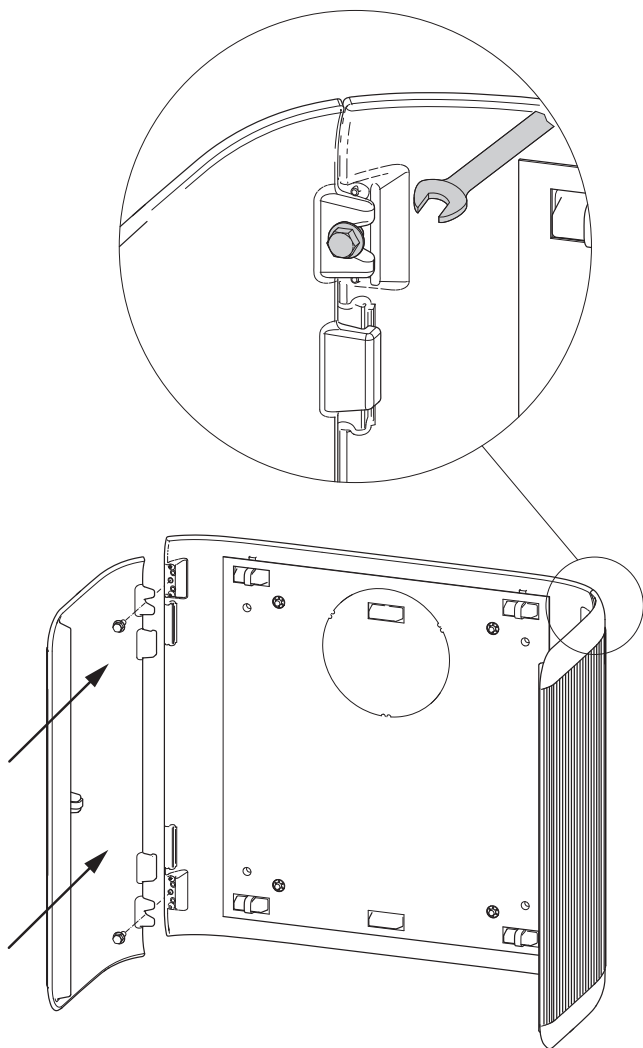


Fig 6

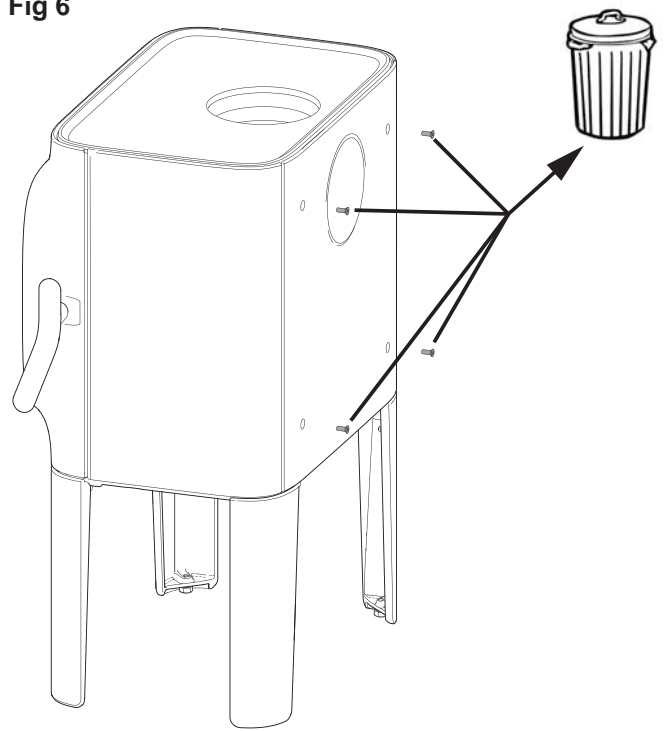


Fig 7

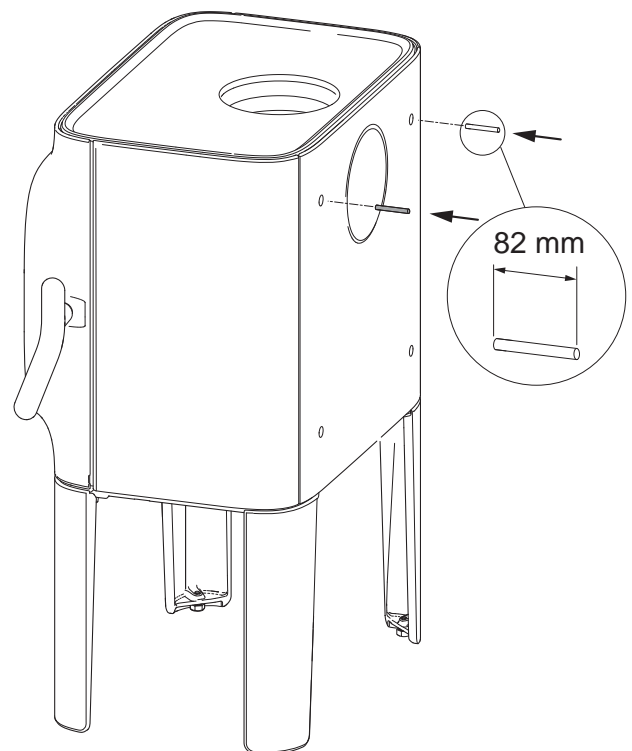


Fig 8

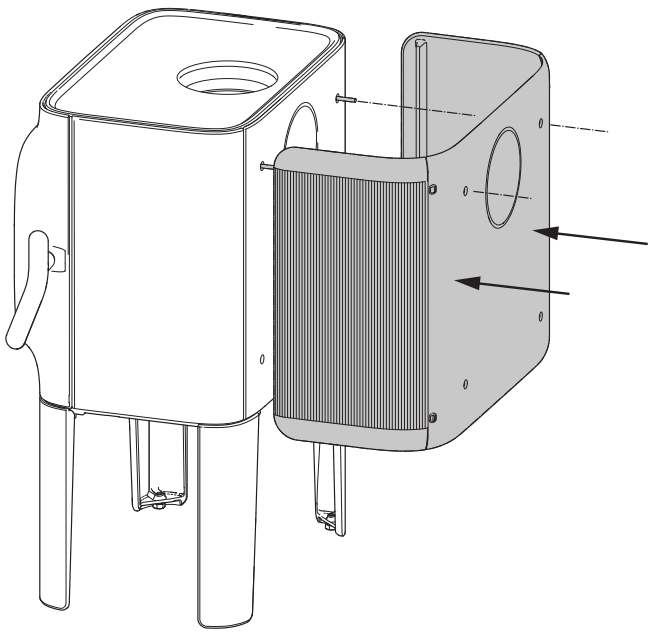


Fig 10

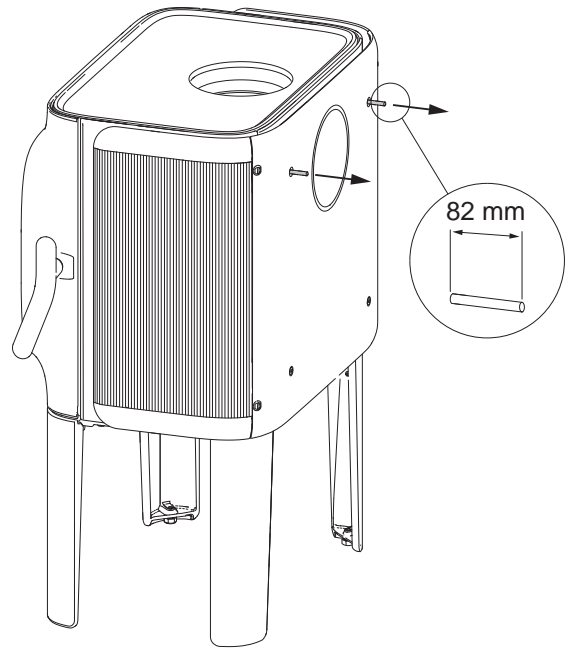


Fig 9

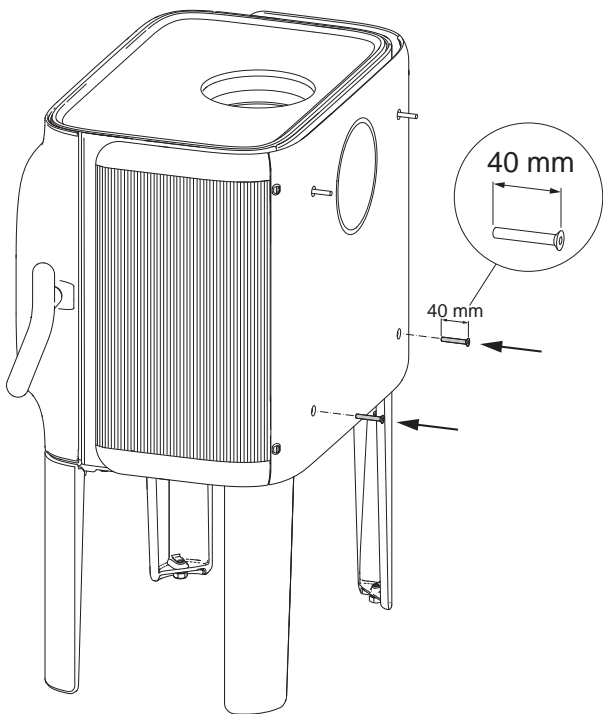


Fig 11

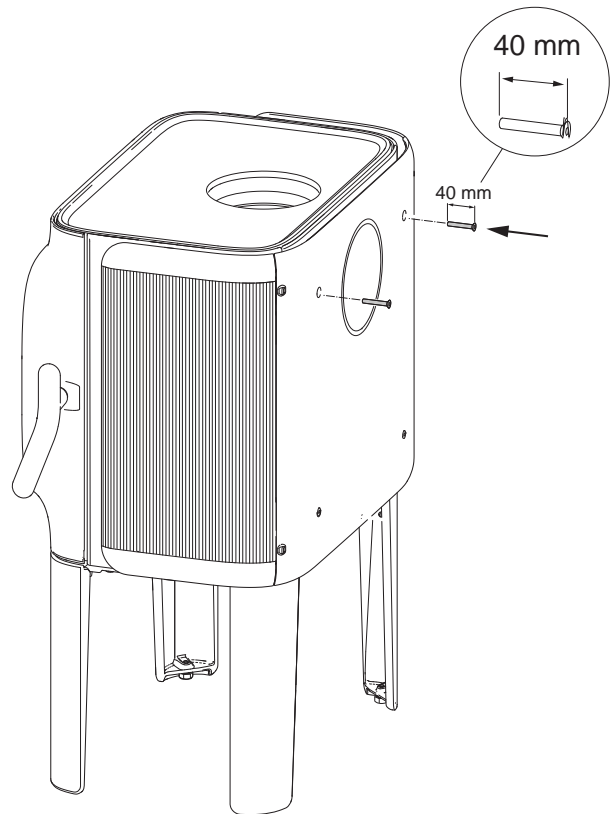
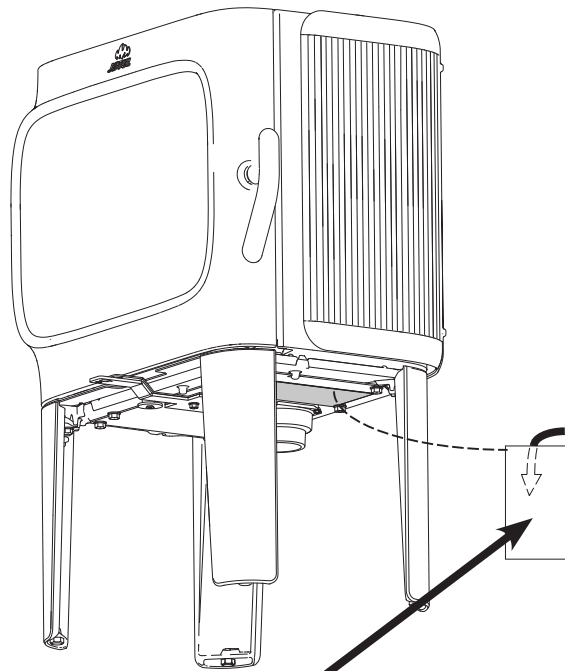


Fig 12



Jøtul F 305C Series
(From manual)

Product:
Jøtul
Room heater fired by solid fuel

Standard
Minimum distance to adjacent combustible materials:
Minimum distance to adjacent combustible materials:
Temperature of CO in combustion products:
Heat output:
Temperature range:
Appliance type:
Appliance can be used in a shared flue.

Country	Classification	Certificate/standard	Approved by
Norway			
Sweden			
EUR			

Follow user's instructions. Use only recommended fuels.
Montage- und Bedienungsanleitung beachten.
Verwenden Sie nur empfohlenen Brennstoffe.
Respectez les consignes d'utilisation. Utilisez uniquement les combustibles recommandés.

Cut off this part and replace the label already attached to the product with this one.

Jøtul F 305R Series
Original

Product:
Jøtul
Room heater fired by solid fuel

Standard
Minimum distance to adjacent combustible materials:
Minimum distance to adjacent combustible materials:
Temperature of CO in combustion products:
Heat output:
Temperature range:
Appliance type:
Appliance can be used in a shared flue.

Country	Classification	Certificate/standard	Approved by
Norway			
Sweden			
EUR			

Follow user's instructions. Use only recommended fuels.
Montage- und Bedienungsanleitung beachten.
Verwenden Sie nur empfohlenen Brennstoffe.
Respectez les consignes d'utilisation. Utilisez uniquement les combustibles recommandés.

Jøtul F 305C AT Series
(From manual)

Product:
Jøtul
Room heater fired by solid fuel

Standard
Minimum distance to adjacent combustible materials:
Minimum distance to adjacent combustible materials:
Temperature of CO in combustion products:
Heat output:
Temperature range:
Appliance type:
Appliance can be used in a shared flue.

Country	Classification	Certificate/standard	Approved by
Norway			
Sweden			
EUR			

Follow user's instructions. Use only recommended fuels.
Montage- und Bedienungsanleitung beachten.
Verwenden Sie nur empfohlenen Brennstoffe.
Respectez les consignes d'utilisation. Utilisez uniquement les combustibles recommandés.

Cut off this part and replace the label already attached to the product with this one.

Jøtul F 305R AT Series
Original

Product:
Jøtul
Room heater fired by solid fuel

Standard
Minimum distance to adjacent combustible materials:
Minimum distance to adjacent combustible materials:
Temperature of CO in combustion products:
Heat output:
Temperature range:
Appliance type:
Appliance can be used in a shared flue.

Country	Classification	Certificate/standard	Approved by
Norway			
Sweden			
EUR			

Follow user's instructions. Use only recommended fuels.
Montage- und Bedienungsanleitung beachten.
Verwenden Sie nur empfohlenen Brennstoffe.
Respectez les consignes d'utilisation. Utilisez uniquement les combustibles recommandés.

Front side / Vorderseite

Back side / Rückseite

Cat.no 10049850-P01
Jøtul AS, Aug. 2015

Jøtul arbeider kontinuerlig for om mulig å forbedre sine produkter, og vi forbeholder oss retten til å endre spesifikasjoner, farger og utstyr uten nærmere kunngjøring.

Kvalitet

Jøtul AS arbeider etter et kvalitetssikringssystem basert på NS-EN ISO 9001 for utvikling, produksjon og salg av ildsteder. Vår kvalitetspolitikk skal gi kundene den trygghet og kvalitetsopplevelse som Jøtul har stått for siden bedriftens historie startet i 1853.



Jøtul AS,
P.o. box 1411
N-1602 Fredrikstad,
Norway
www.jotul.no