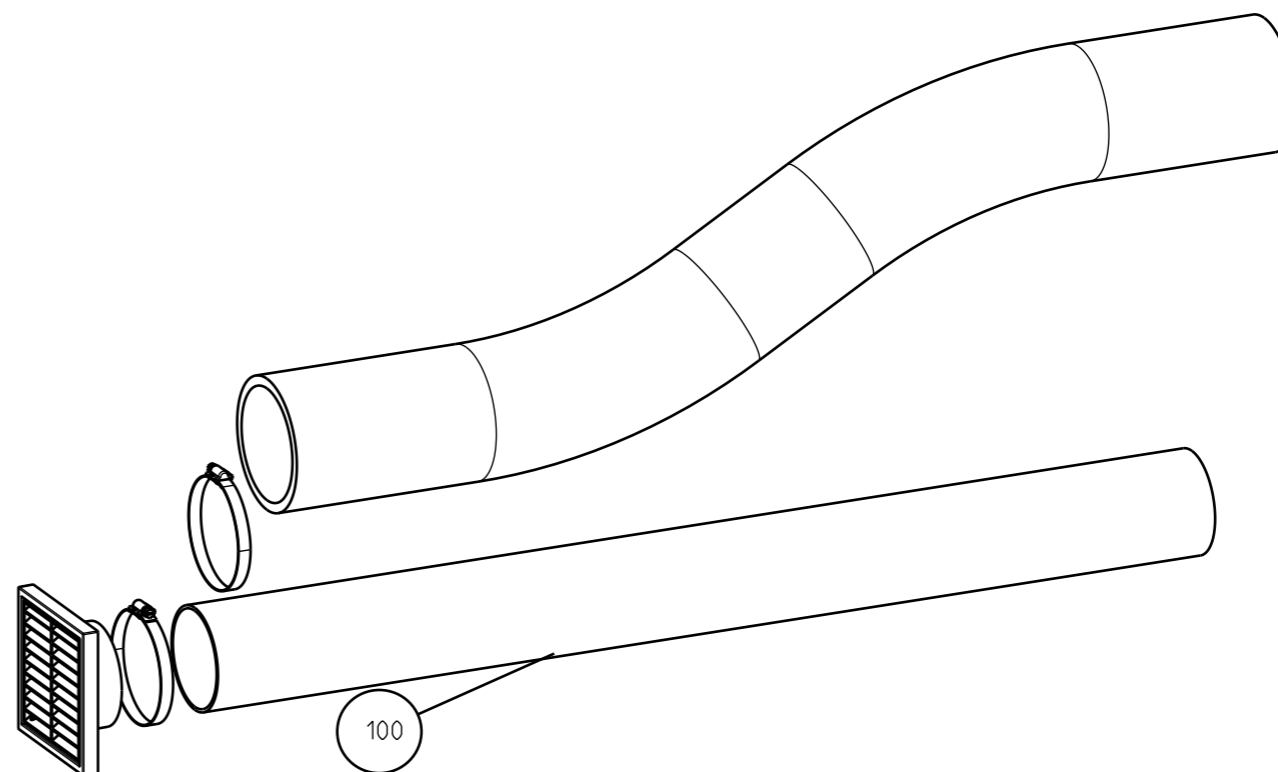
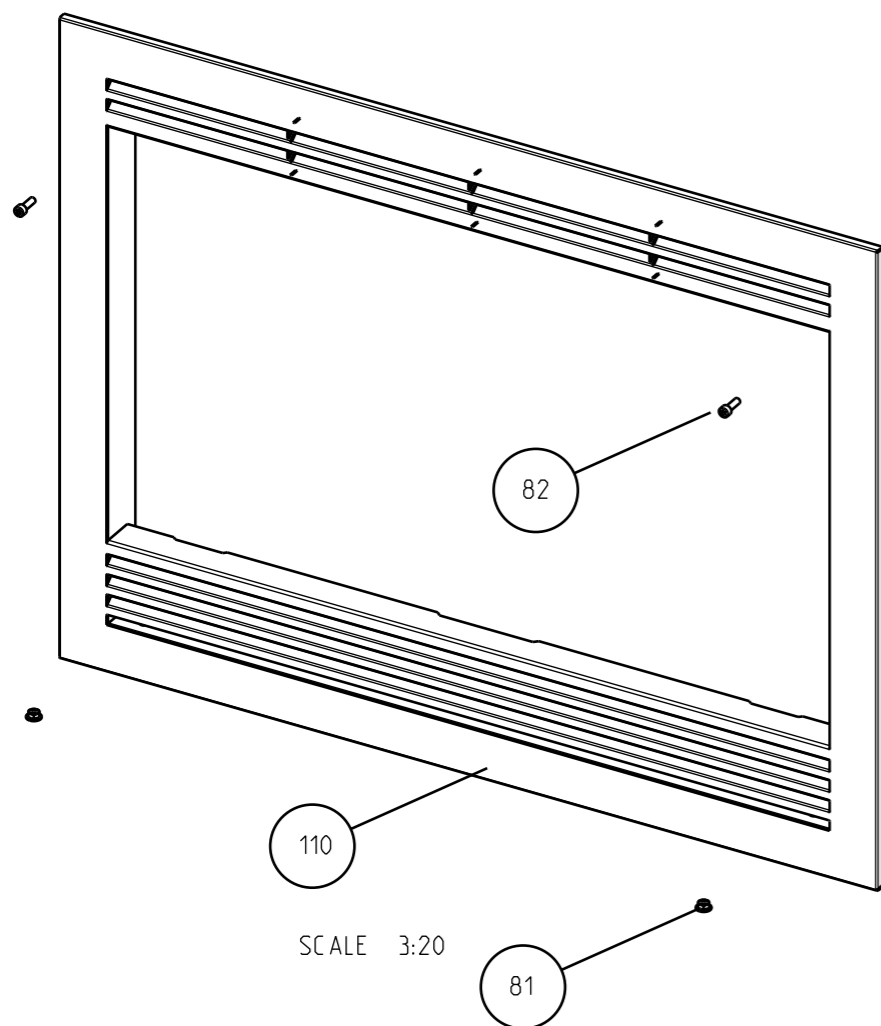
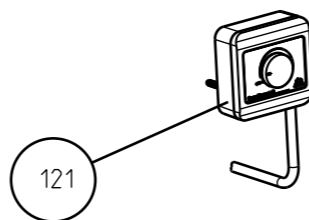
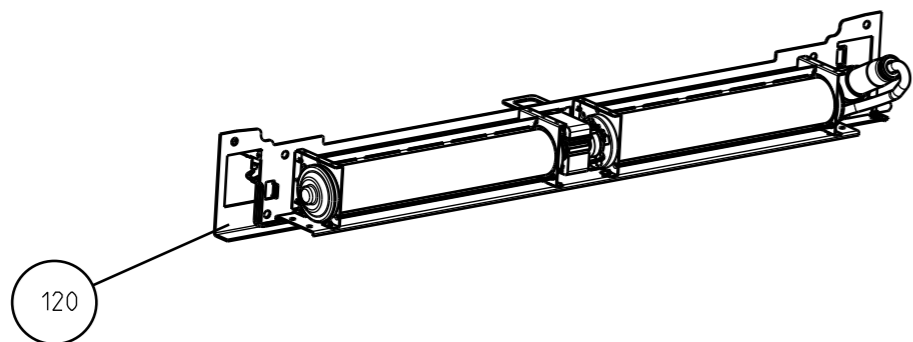


XX XX - Position number  
 YY YY - Quantity

Exploded view. Jøtul C 620			
Jøtul AS Fredrikstad, Norway	Draw.no: 900313-P01	Date: 19.03.20	Sheet: 1 of 2



XX	XX - Position number
YY	YY - Quantity

Exploded view. Jøtul C 620

Jøtul AS  
Fredrikstad, Norway

Draw.no:  
900313-P01

Date:  
05.11.19

Sheet:  
2 of 2

# Jøtul C 620

**JØTUL C 620 SMAL FRAME BP - cat.no 21055945**

**JØTUL C 620 WIDE FRAME BP - cat.no 21055946**

**JØTUL C 620 WITHOUT FRAME BP - cat.no 30055284**

*BP= Sort lakk/Black Paint*

<b>Pos. no.</b>	<b>Spareparts C 620</b>	<b>Consist of parts</b>	<b>Benevnelse</b>	<b>Description</b>	<b>Dim./Spec.</b>
1	12044855		Lokk uteluft Ø80/100	Lid Air Ø80/100	Cast Iron min 4mm thickness
2	12047291		Bunndeksel MK2	Bottom Cover MK2	Cast Iron min 4mm thickness
3	12051414		Bunnplate	Bottom Plate	Cast Iron min 4mm thickness
4	12047292		Ventildeksel Innv. MK2	Valve Cover Int. MK2	Cast Iron min 4mm thickness
5	12051924		Fyrbunn	Inner Bottom	Cast Iron min 4mm thickness
6	12052722		Kubbestopper BP	Log Retainer BP	Cast Iron min 4mm thickness
7	12044975		Luftkanal fyrbunn	Air Distributor Bottom	Cast Iron min 4mm thickness
8	12051929		Brennplate bakre	Burn Plate Rear	Cast Iron min 4mm thickness
9	12044961		Brennplate høyre	Burn plate right	Cast Iron min 4mm thickness
10	12044962		Brennplate venstre	Burn plate left	Cast Iron min 4mm thickness
11	12044956		Lokk side	Lid side	Cast Iron min 4mm thickness
12	12044980		Sidestykke H/V	Side Plate R/L	Cast Iron min 4mm thickness
13	12051920		Luftkanal venstre	Air Channel Left	Cast Iron min 4mm thickness
14	12051919		Luftkanal høyre	Air Channel Right	Cast Iron min 4mm thickness
15	12051913		Bakplate	Rear Plate	Cast Iron min 4mm thickness
16	12044967		Bakdeksel	Rear Cover	Cast Iron min 4mm thickness
17	12054712		Spylebrem	Flushing Brim	Cast Iron min 4mm thickness
18	12051914		Topplate	Top Plate	Cast Iron min 4mm thickness
19	12054112		Ledeplate øvre	Exhaust Deflector Upper	Cast Iron min 4mm thickness
20	12054111		Øvre Topp	Upper Top	Cast Iron min 4mm thickness
21	12052720		Dør komplett u/glass BP	Door compl w/o glass	Cast Iron min 4mm thickness
22	12051918		Ledeplate nedre	Deflector	Cast Iron min 4mm thickness
23	12016359		Adapter Ø150 for røykrør, insert	Adapter Ø150, smokeoutlet, insert	Cast Iron min 4mm thickness
24	12044968		Dørlist H/V	Door List R/L	Cast Iron min 4mm thickness
25	12016569		Skive	Washer	Cast Iron min 4mm thickness
26	10051511		Glass dør	Glas Door	Ceramic glass 4mm
27	10058391		Brakett venstre side	Bracket left side	Steel
28	10058392		Brakett høyre side	Bracket right side	Steel
29	10058442		Starlock	Starlock BV 6829 uncapped Ø13	Steel BV 6829 uncapped Ø13
30	10054355		Konveksjonskammer bunn	Convection Chamber bottom	Steel
31	10054357		Konv. kammer side høyre	Conv. Chamber Side Right	Aluzinc DX51D AZ
32	10054356		Konv. kammer side venstre	Conv. chamber side Left	Aluzinc DX51D AZ
33	10054445		Konv. kammer bak C620	Conv. Chamber back C620	Aluzinc DX51D AZ
34	10054358		Konv. Kammer Topp C620	Conv. Chamber Top C620	Aluzinc DX51D AZ
35	10054903		Tettering topputtakk	Sealing ring topoutlet	Aluzinc DX51D AZ
36	10054359		Konv. kammer nedre front C620	Conv. Chamb. Lower front C620	Steel
38	10047777		Ventil primær kompl MK2	Valve Assembly Primary MK2	Steel
39	10047776		Ventil oppten. kompl MK2	Valve Assembly Ignite MK2	Steel
40	10055200		Stuss uteluft Ø100	Adapter outside air	Aluzinc DX51D AZ
41	10024209		Stuss f/konveksjonskammer	Air Outlet f/Convection Chamber	Steel
42	10038474		Dørhengsel komplett	Door Hinge Complete	Steel
43	10038478		Dørslås komplett høyre	Door Lock Complete Right	Steel
44	10038480		Dørhåndtak komplett høyre	Door Handle Complete Right	Steel
45	10038562		Isolasjonsmatte side	Insulation blanket side	Superwool
46	10051513		Isol. matte fyrbunn	Insul. Blanket Base Plate	Superwool
47	10051882		Isol. matte bak	Insul. Blanket Rear	Superwool
48	10051512		Hvelv	Baffle	Vermiculite
49	10038490		Beslag dørlås	Bracket Door Lock	Steel
50	10038553		Hvelvlås	Baffle Lock	Stainless AISI 316

# Jøtul C 620

**JØTUL C 620 SMAL FRAME BP - cat.no 21055945**  
**JØTUL C 620 WIDE FRAME BP - cat.no 21055946**  
**JØTUL C 620 WITHOUT FRAME BP - cat.no 30055284**

**BP= Sort lakk/Black Paint**

<b>Pos. no.</b>	<b>Spareparts C 620</b>	<b>Consist of parts</b>	<b>Benevnelse</b>	<b>Description</b>	<b>Dim./Spec.</b>
51			Pakn for bunndeksel Ø6,4 m/lim	Gasket for Bottom Cover Ø6,4 w/glue	LD 250-2 graph Ø6,4x1230mm
52			Pakn for ventildeksel Ø6,4 m/lim	Gasket for Valve Cover Ø6,4 w/glue	LD 250-2 graph Ø6,4x1380mm
53			Pakning for glass Ø6,4 m/lim	Gasket for glas Ø6,4 with glue	LD 250-2 graph Ø6,4x2720mm
54			Pakn for sideglass/brennplate Ø6,4 m/lim	Gasket for side glas Ø6,4 with glue	LD 250-2 graph Ø6,4x1120mm
55			Pakn snor for dør Ø9,1mm	Gasket for door Ø9,1mm	LD-360 graph Ø9,1x2500mm
56			Pakn for røykkloke Ø6,4 m/lim	Gasket for flue outlet cover Ø6,4 w/glue	LD 250-2 graph Ø6,4x1500mm
57			Pakn for bakdeksel Ø6,4 m/lim	Gasket for rear cover Ø6,4 w/glue	LD 250-2 graph Ø6,4x400mm
58			Pakn flat 8X3 M/L for uteluft	Gasket flat 8X3 M/L for outside air	Gasket flat 8X3 M/L x 350mm
59			Pakn for brennplate bak Ø6,4 m/lim	Gasket for burnplate back Ø6,4 w/glue	LD 250-2 graph Ø6,4x1500mm
60			Pakning for Adapter røykrør Ø6,4 m/lim	Gasket for Adapter smokeoutlet Ø6,4 with glue	LD 250-2 graph Ø6,4x2720mm
69	10048871		Skrue 6K slevgj. M6X16 Taptite	Screw hex selfthread M6X16	Steel
70	10023662		6kt skr m/fl M8x20 DIN6921 8.8	Hex Fl Bolt DIN6921-M8x20-8.8	Steel
71	10023536		6kt skr m/fl M6x25 DIN6921 8.8	Hex Fl Bolt DIN6921-M6x25-8.8	Steel
72	10023522		6kt skr M8x60 DIN933 8.8 Elzn	Hex Cap Screw DIN933-M8x60-8.8	Steel
73	10023538		6kt skr m/fl M8x35 DIN6921 8.8	Hex Fl Bolt DIN6921-M8x35-8.8	Steel
74	10023541		6kt skr m/fl M6x16 DIN6921 8.8	Hex Fl Bolt DIN6921-M6x16-8.8	Steel
75	10023544		6kt skr m/fl M6x10 DIN6921 8.8	Hex Fl Bolt DIN6921-M6x10-8.8	Steel
76	10023588		Skrue sylh innv6k DIN 912 M6x12	Hex Socket Head Cap Screw DIN 912 M6x12	Steel
77	10023586		Skrue senkh innv6k DIN7991 M6x12-10.9	Flat Head Countersunk Socket DIN7991 M6x12-10.9	Steel
78	10023561		Skrue sylh inn6k DIN7984 M6x8-8.8	Hex Socket Head Cap Screw DIN7984 M6x8-8.8	Steel
79	10023667		6kt mutter m/f M8 DIN6923 8	Hex flange nut M8 DIN6923 8	Steel
81	10023666		6kt mutter m/f M6 DIN6923 8	Hex flange nut M6 DIN6923 8	Steel
82	10023590		Skrue sylh innv6k DIN 912 M6x20	Hex Socket Head Cap Screw DIN 912 M6x20	Steel
83	10023596		Mutter kasse M6 956-C	Nut Cage M6 956-C	Steel
84	10023580		Skrue sylh inn6k DIN7984 M6x16-8.8	Hex Socket Head Cap Screw DIN7984 M6x16-8.8	Steel
85	10023680		Skrue platesekskant flens 4,2x13 DIN 6928	Tapping Screw 4,2x13 DIN 6928	Steel
86	10023540		6kt skr m/fl M6x20 DIN6921 8.8	Hex Fl Bolt DIN6921-M6x20-8.8	Steel
87	10023595		Skrue senkh inn6k DIN7991 M8x16-10.9	Flat Head Countersunk Socket DIN7991 M8x16-10.9	Steel
88	10026601		Glassklips I570 25X18	Glass Clip I570 25X18	Stainless Steel
89	10023780		Skive Ø6,4XØ18X1,6 ST8,8 DIN 9021	Sleeve Ø6,4XØ18X1,6 ST8,8 DIN 9021	Steel
90	10047202		Ventilfjær	Valve Spring	Steel
91	51014124		Røykrør Ø150 Rett L=500mm 2,3MM MBE	Fluepipe Ø150 Straight L= 500MM 2,3MM MBE	Steel
			<b>Tilleggsutstyr / Options</b>		
	50053494	Effective area 375cm <sup>2</sup> per piece	Ventilasjonsramme WP (1stk)	Ventilation Frame WP (1pcs)	Steel, Hole 548x80mm
	50053708	Effective area 375cm <sup>2</sup> per piece	Ventilasjonsramme BP (1stk)	Ventilation Frame BP (1pcs)	Steel, Hole 548x80mm
100	51012164		Utelufttilkobling Ø100mm	Outside Air Connection Ø100mm	
37	50054363	81(2p),82(2p)	Ramme small C 620	Frame Narrow C 620	Steel
110	50054364	81(2p),82(2p)	Ramme Bred C 620	Frame Wide C 620	Steel
120	50054865	121	Vifte C 620	Fan C 620	
121	50055980		Styringsboks komplett C 620	Control Box Complete C 620	
				Tegning	900314-P02